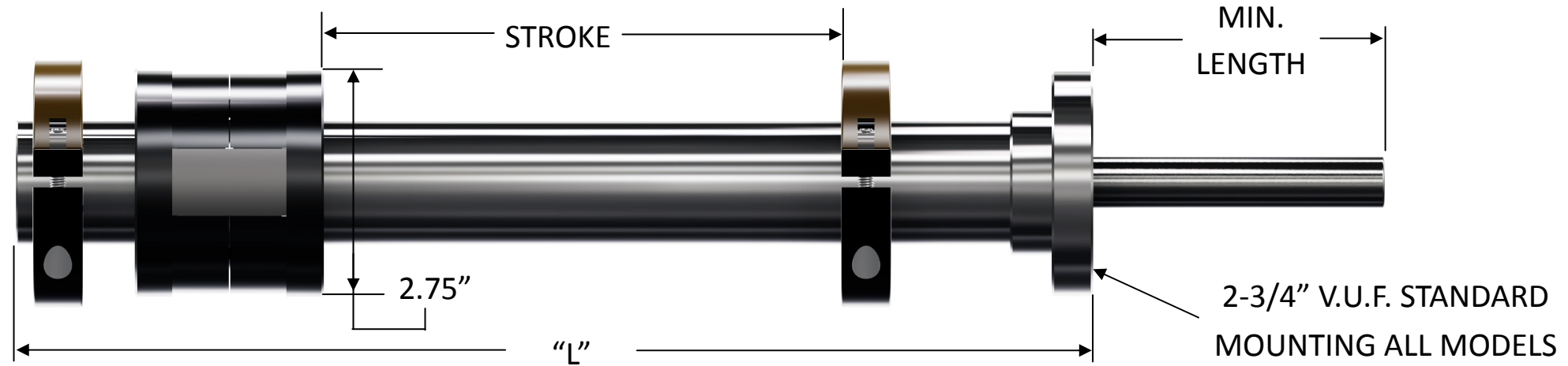


Specifications

Material Exposed to Vacuum: Stainless Steel, Teflon® & Torlon®
Bakeout Temp.: 200°C w/o Magnet (30 mins.)
Operating Temperature: -20° to 100° C
Pressure Range: Atmosphere to 1 x 10⁻¹¹ Torr

Maximum Axial Load: 25 lbs. concentric load
Maximum Torque: 128 oz./in.
Rotary Resolution: Vernier: 5°
Magnet Type: Samarium Cobalt
Linear Stops: 2 Quick Release Clamps

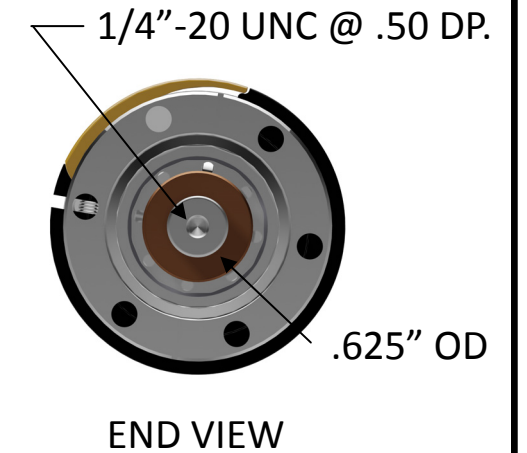
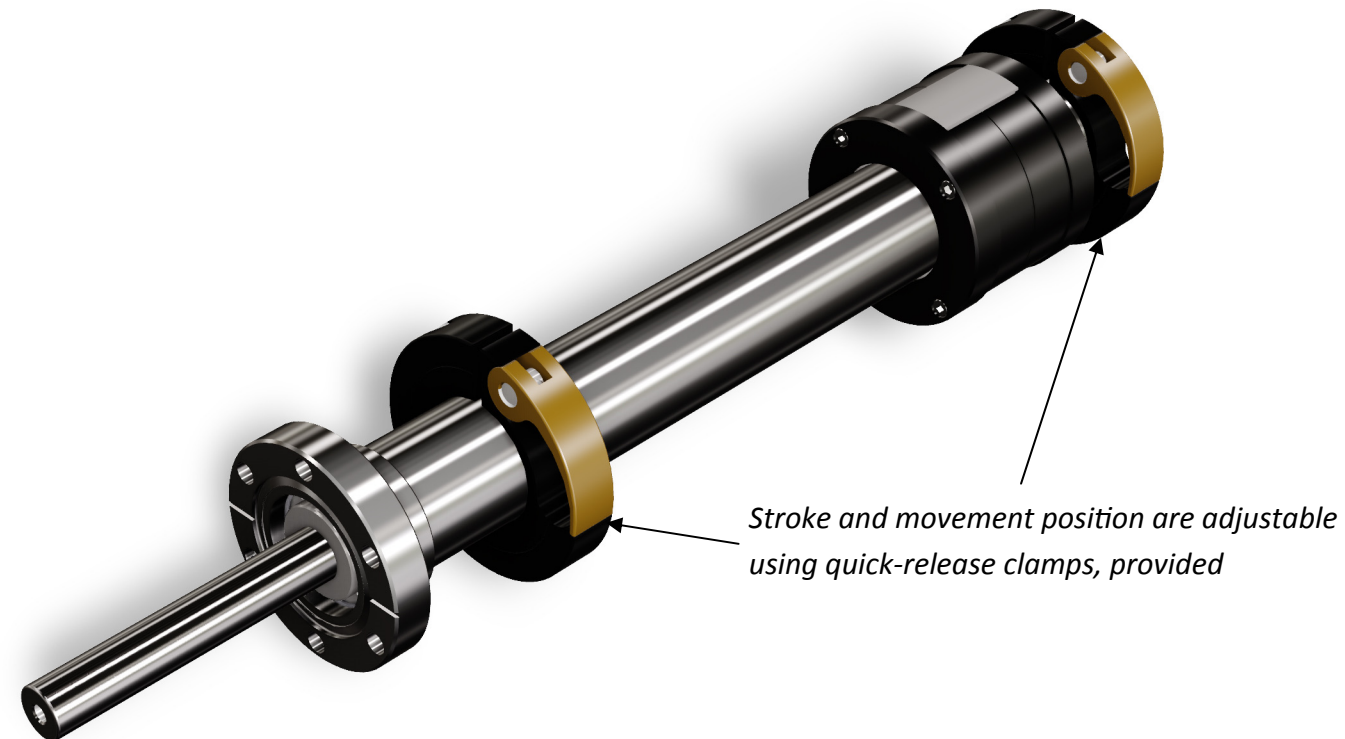
THIS DRAWING IS THE PROPERTY OF HUNTINGTON MECHANICAL LABS, INC., AND IS PROPRIETARY IN GENERAL AND IN DETAIL. IT SHALL NOT BE MODIFIED IN ANY WAY. PERMISSION IS GIVEN TO PRINT AND DISSEMINATE FREELY.



NOTE:

ALL MAGNETIC TRANSPORTERS CAN BE FITTED WITH GUIDE RAILS, OPTIONAL
 MOST MODELS CAN BE MOTORIZED, PLEASE CALL TECHNICAL SALES FOR MORE INFORMATION:

800-227-8059



Dimensions: inches (mm)

RARE EARTH LINEAR-ROTARY

SHAFT	STROKE	"L"	MINIMUM LENGTH	WEIGHT (lbs.)	PART NUMBER
.625" OD SOLID	12.0	18.93	3.50	11	VFC-169-12
	18.0	24.93	3.50	13	VFC-169-18
	24.0	32.50	3.50	15	VFC-169-24
	36.0	46.89	3.50	18	VFC-169-36
	48.0	61.29	3.50	21	VFC-169-48

Other stroke lengths & flange options available. For quotes, please call 800-227-8059 or visit our website at www.huntvac.com. Email: vacman@huntvac.com

		13355 NEVADA CITY AVENUE GRASS VALLEY, CA. 95945
FEEDTHRU, LINEAR-ROTARY MAG. TRANSPORTER NO/SCALE		
B	DWG. NO. VFC-169-XX OUTLINE	REV. -
SCALE: NO SCALE	SHEET: 1	OF 1