

Specifications

Sealing Mechanism: Welded Bellows
Position Locks: Thumb Screws
Bakeout Temperature: 200°C
Operating Temp: -20° to 150°C
Pressure Range: Atmosphere to 1×10^{-11} Torr

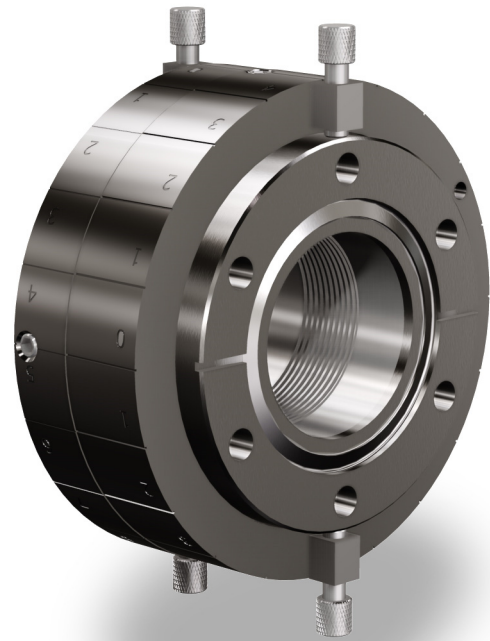
Angular Resolution:

10° Motion: 1°
 2° Motion: .2°

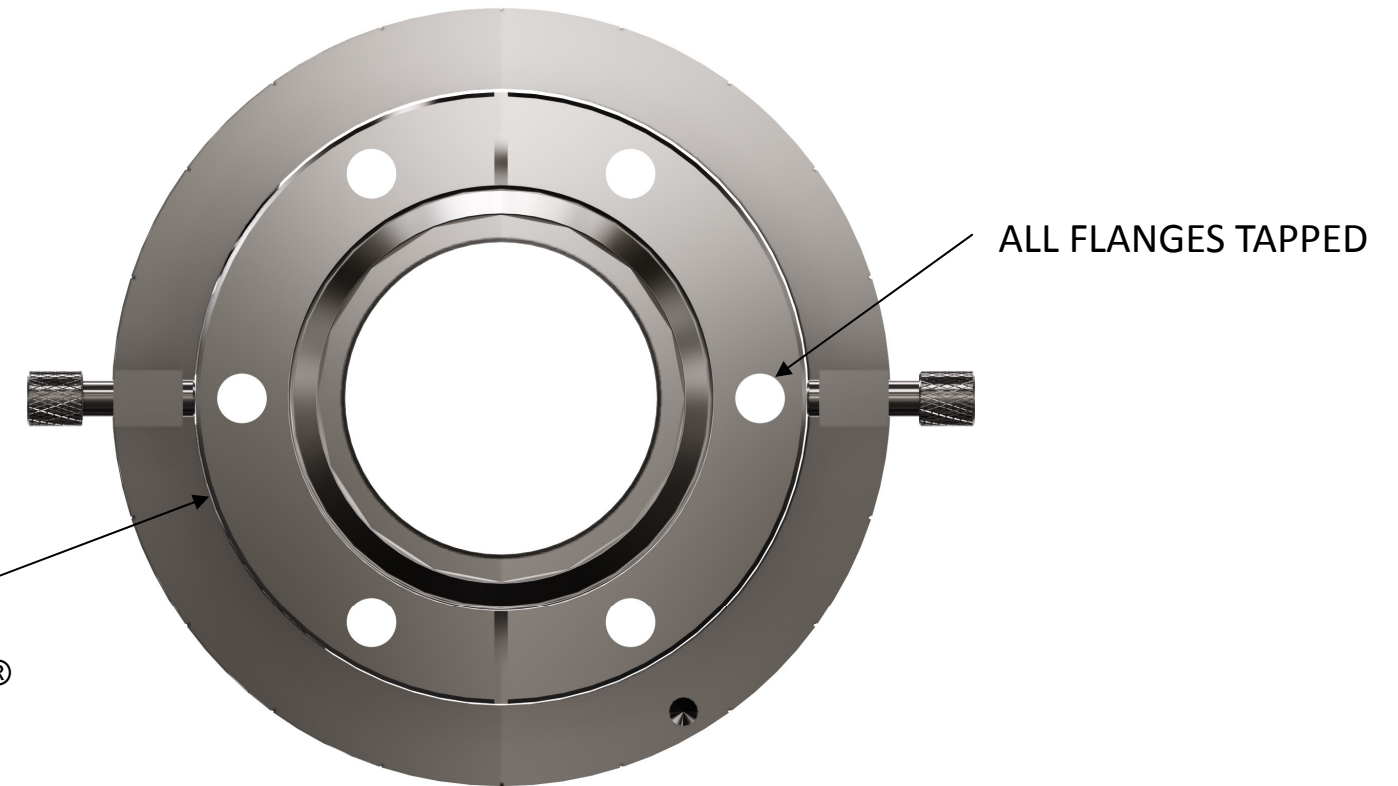
Work Load:

1 1/3" VAC-U-FLANGE: 15 lbs.
 2 3/4" VAC-U-FLANGE: 30 lbs.

THIS DRAWING IS THE PROPERTY OF HUNTINGTON MECHANICAL LABS, INC., AND IS PROPRIETARY IN GENERAL AND IN DETAIL. IT SHALL NOT BE MODIFIED IN ANY WAY. PERMISSION IS GIVEN TO PRINT AND DISSEMINATE FREELY.



AVAILABLE IN 1-1/3"
 or 2-3/4" VAC-U-FLANGE®
 FLANGES (CF)



Dimensions: inches (mm)

MANUAL ACCU-PORT TILT MOTION STAGE

FLANGE OD	BELLOWS ID	ANGULAR MOTION	INCLUDED ANGLE	"D"	WEIGHT (lbs.)	PART NUMBER
1 1/3"	0.50	10°	20°	1.00	1.0	VF-175-133
2 3/4"	1.39	2°	4°	1.67	2.5	VF-175-2
	1.39	10°	20°	1.42	2.5	VF-175-10

Other flange options available. For quotes, please call 800-227-8059 or visit our website at www.huntvac.com. Email: vacman@huntvac.com

		13355 NEVADA CITY AVENUE GRASS VALLEY, CA. 95945	
ACCU-PORT TILT MOTION STAGE, 2° & 10°, W/SCALE			
B	DWG. NO. VF-175-XXX OUTLINE	REV. -	
SCALE: NO SCALE		SHEET: 1	OF 1