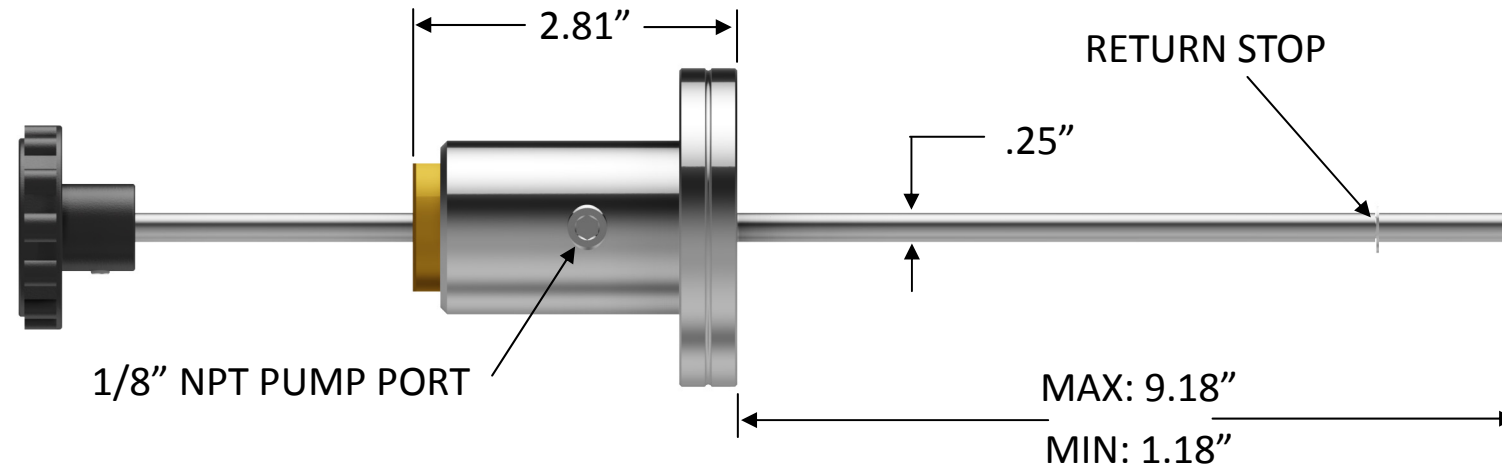


Specifications

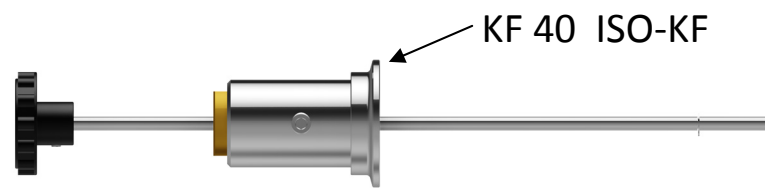
Sealing Mechanism: Dual Viton® elastomer seals
Material Exposed to Vacuum: Stainless Steel, Viton®
Bakeout Temperature: 200°C (Maximum)
Operating Temperature: -20° to 100°C

Pressure Range: Atmosphere to 1×10^{-9} Torr (when pumped)
Maximum Axial Load: 10 lbs. (9.1 kg) concentric load
Maximum Lateral Load: 5 lbs. (9.1 kg) @ 4" extension
Maximum Torque: 1600 oz./in.

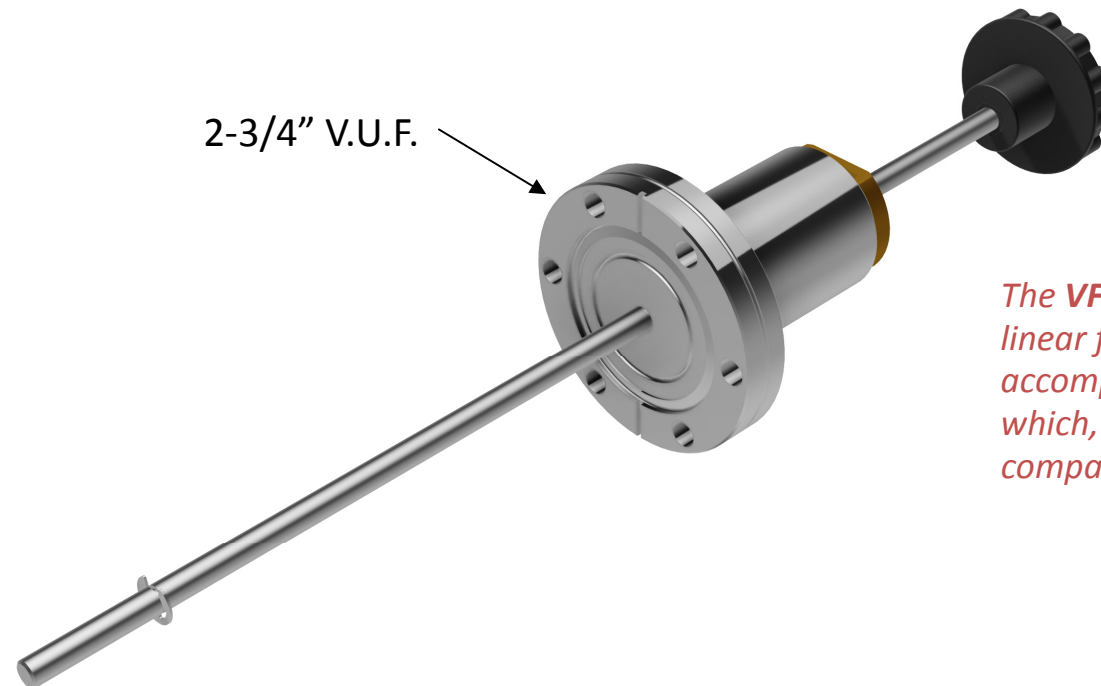
THIS DRAWING IS THE PROPERTY OF HUNTINGTON MECHANICAL LABS, INC., AND IS PROPRIETARY IN GENERAL AND IN DETAIL. IT SHALL NOT BE MODIFIED IN ANY WAY. PERMISSION IS GIVEN TO PRINT AND DISSEMINATE FREELY.



VF-170-SF Series



2-3/4" V.U.F.



The VF-170 is a simple and cost-effective manual linear feedthrough with rotary action. Sealing is accomplished by Viton® seals (2) in the main body, which, when differentially pumped can achieve UHV compatibility to 10^{-9} Torr.

Dimensions: inches (mm)

ROTARY-LINEAR DIRECT DRIVE FEEDTHROUGH

FLANGE	STROKE	WEIGHT (lbs.)	PART NUMBER
2 3/4"	8.0 (203.2)	1.5	VF-170
KF 40		1.2	VF-170-SF

Other stroke lengths & flange options available. For quotes, please call 800-227-8059 or visit our website at www.huntvac.com. Email: vacman@huntvac.com

		13355 NEVADA CITY AVENUE GRASS VALLEY, CA. 95945	
FEEDTHRU, LINEAR/ROTARY DIRECT DRIVE, DIFF. PUMPED			
B	DWG. NO.	VF-170-XX OUTLINE	REV.
SCALE: NO SCALE		SHEET: 1	OF 1