

Specifications

Material Exposed to Vacuum: Stainless Steel, Torlon® & Teflon®

Bakeout Temp.: 200°C w/o Magnet

Operating Temperature: -20° to 100° C

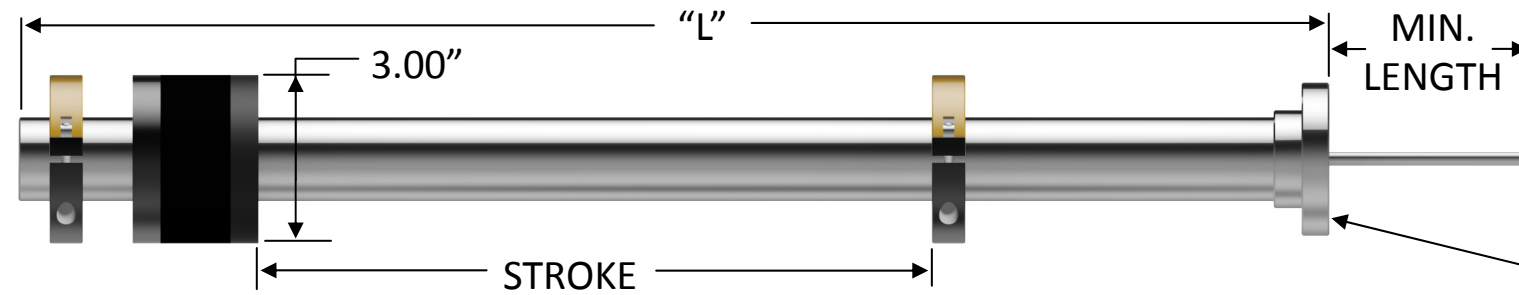
Pressure Range: Atmosphere to 1×10^{-11} Torr

Maximum Axial Load: 5 lbs. concentric load

Maximum Torque: 60 oz./in.

Linear Stops: 2 Quick Release Clamps

THIS DRAWING IS THE PROPERTY OF HUNTINGTON MECHANICAL LABS, INC., AND IS PROPRIETARY IN GENERAL AND IN DETAIL. IT SHALL NOT BE MODIFIED IN ANY WAY. PERMISSION IS GIVEN TO PRINT AND DISSEMINATE FREELY.



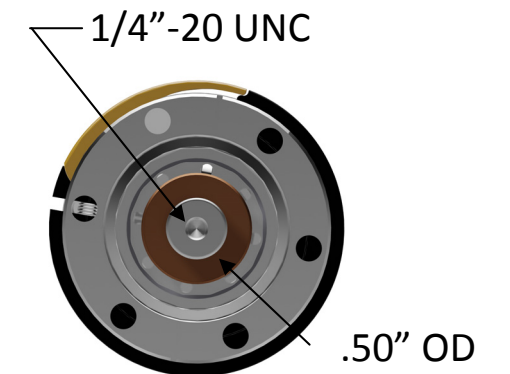
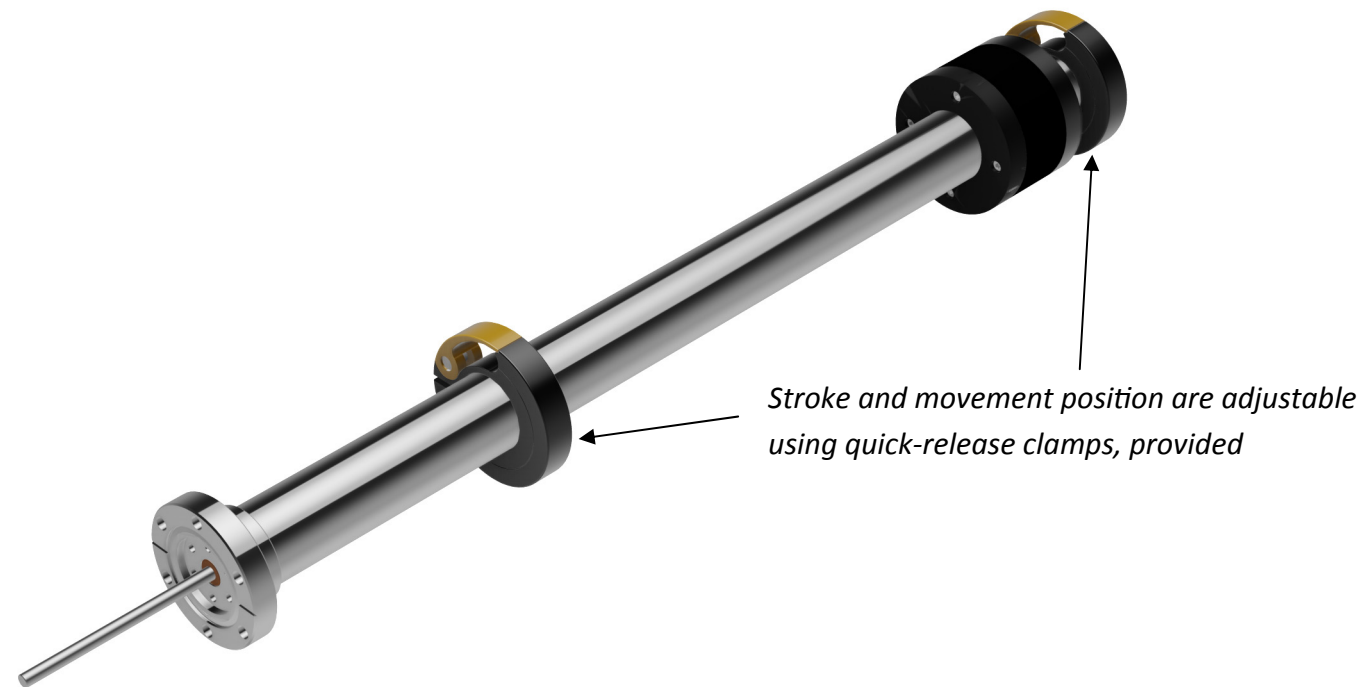
2-3/4" V.U.F. STANDARD MOUNTING ALL MODELS

NOTE:

ALL MAGNETIC TRANSPORTERS CAN BE FITTED WITH GUIDE RAILS, OPTIONAL

MOST MODELS CAN BE MOTORIZED, PLEASE CALL TECHNICAL SALES FOR MORE INFORMATION:

800-227-8059



END VIEW
(VF-1695 Series)

Dimensions: inches (mm)

ROUGH POSITIONING LINEAR / ROTARY

SHAFT	STROKE	"L"	MINIMUM LENGTH	WEIGHT (lbs.)	PART NUMBER
.25" OD SOLID	10.0	16.93	3.50	10	VF-169-10
	12.0	18.93	3.50	10	VF-169-12
	14.0	20.93	3.50	10	VF-169-14
	16.0	22.93	3.50	12	VF-169-16
	18.0	24.93	3.50	12	VF-169-18
.50" OD HOLLOW .065" WALL	18.0	24.93	3.50	14	VF-1695-18
	24.0	32.50	3.50	15	VF-1695-24
	36.0	46.89	3.50	16	VF-1695-36

Other stroke lengths & flange options available. For quotes, please call 800-227-8059 or visit our website at www.huntvac.com. Email: vacman@huntvac.com

		13355 NEVADA CITY AVENUE GRASS VALLEY, CA. 95945
FEEDTHRU, ROTARY/LINEAR, MAGNETIC TRANSPORTER		
B	DWG. NO. VF-169(X)-XX OUTLINE	REV. -
SCALE: NO SCALE	SHEET: 1	OF 1