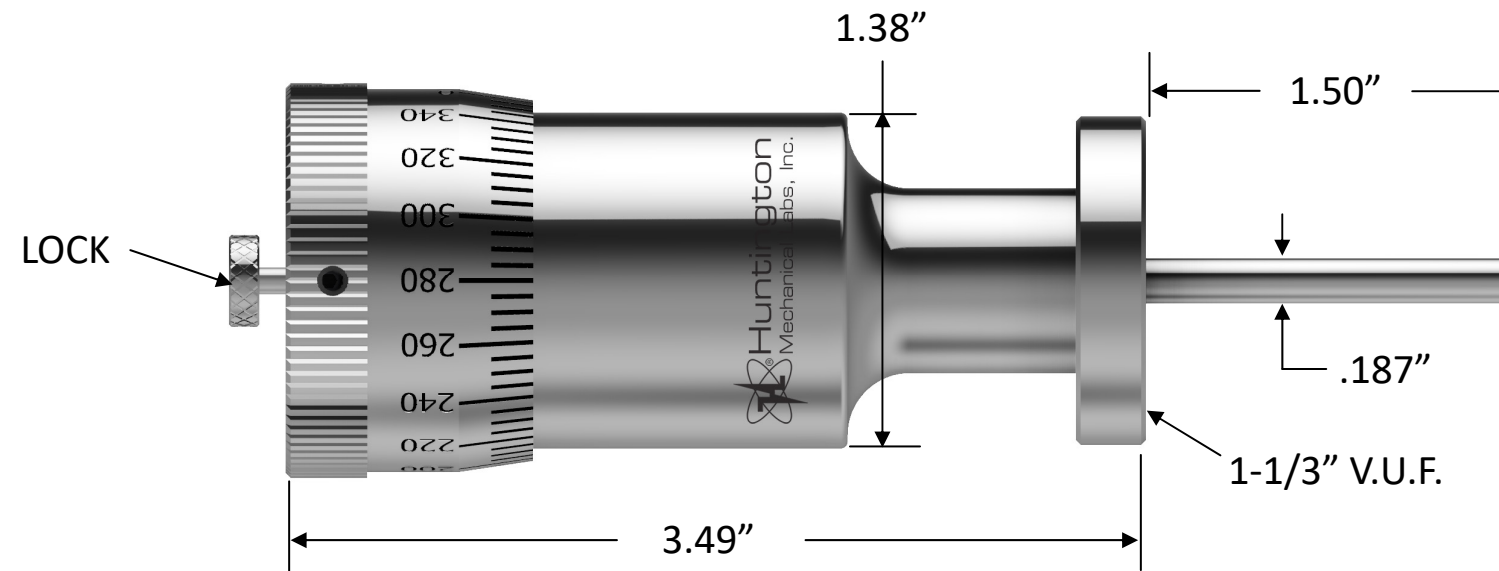


Specifications

Sealing Mechanism: Welded Bellows
Material Exposed to Vacuum: Stainless Steel
Bakeout Temperature: 315°C,
Operating Temperature: -20° to 315°C,

Pressure Range: Atmosphere to 1×10^{-11} Torr
Position Lock: Thumb Screw
Maximum Torque: 125 oz./in.
Maximum Lateral Load: 5 lbs. (2.3kg) @ tip
Scale Resolution: 5°

THIS DRAWING IS THE PROPERTY OF HUNTINGTON MECHANICAL LABS, INC., AND IS PROPRIETARY IN GENERAL AND IN DETAIL. IT SHALL NOT BE MODIFIED IN ANY WAY. PERMISSION IS GIVEN TO PRINT AND DISSEMINATE FREELY.



Dimensions: inches (mm)

HIGH TEMPERATURE ROTARY FEEDTHROUGH

FLANGE	DESCRIPTION	WEIGHT (lbs.)	PART NUMBER
VAC-U-FLANGE® Series			
1 1/3"	Hi-Temp Rotary, 304 SS w/ dial	0.6	VF-106-HT
2 3/4"	Hi-Temp Rotary, 304 SS w/ dial	1.1	VF-106-A-HT

Other stroke lengths & flange options available. For quotes, please call 800-227-8059 or visit our website at www.huntvac.com. Email: vacman@huntvac.com

		13355 NEVADA CITY AVENUE GRASS VALLEY, CA. 95945
MINI ROTARY MOTION FEEDTHROUGH, HI-TEMP		
B	DWG. NO. VF-106-X-HT OUTLINE	REV. -
SCALE: NO SCALE	SHEET: 1	OF 1