

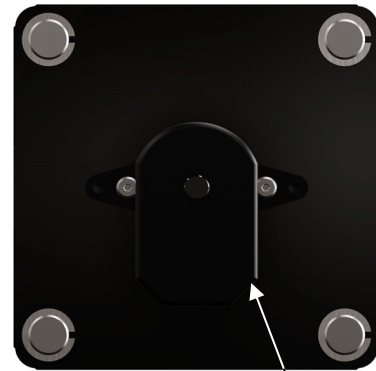
Specifications

Sealing Mechanism: Welded Bellows
Material Exposed to Vacuum: Stainless Steel
Bakeout Temperature: 200°C (Motor removed)
Operating Temperature: -20° to 80°C (Motorized)

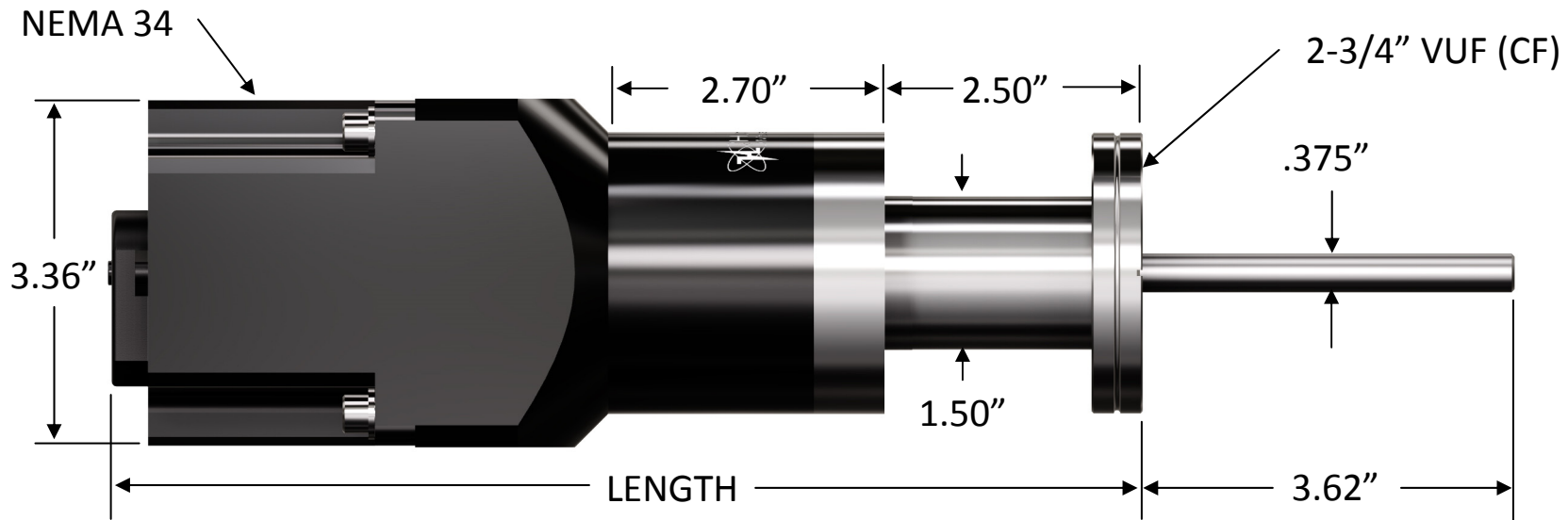
Pressure Range: Atmosphere to 1×10^{-11} Torr
Maximum Torque: 5 lb./ft.
Axial Load: 20 lbs. MAX
Stepper Motor: 1.8° /full step, 51,200 microsteps/revolution

THIS DRAWING IS THE PROPERTY OF HUNTINGTON MECHANICAL LABS, INC., AND IS PROPRIETARY IN GENERAL AND IN DETAIL. IT SHALL NOT BE MODIFIED IN ANY WAY. PERMISSION IS GIVEN TO PRINT AND DISSEMINATE FREELY.

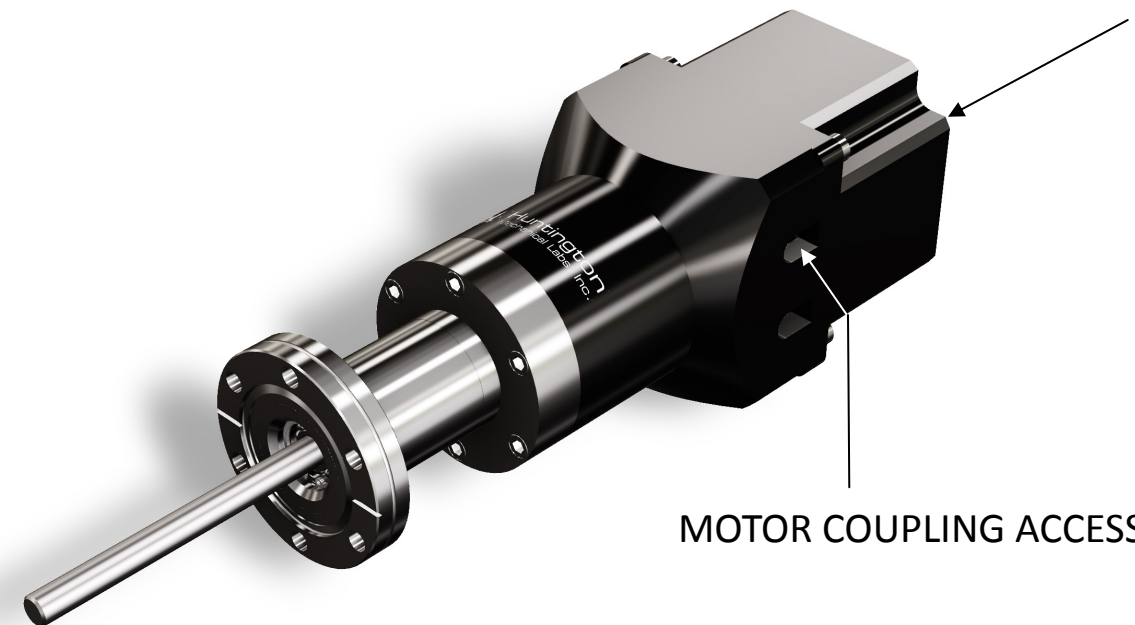
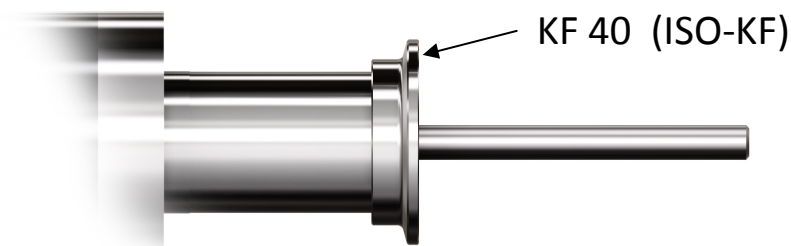
REAR VIEW



ENCODER INCLUDED



MVF-166-SF ISO FLANGE VERSION



SPECIAL ORDER
 AVAILABLE WITHOUT MOTOR FOR SPECIAL APPLICATIONS OR TO FIT EXISTING MOTOR. COUPLINGS AVAILABLE FOR 14 mm or 3/8" SHAFTS. PLEASE SPECIFY -00 VARIANT and SHAFT COUPLING SIZE ON QUOTE.

Dimensions: inches (mm)

MOTORIZED H/D ROTARY MOTION FEEDTHROUGH

FLANGE	LENGTH	MOTOR TORQUE	WEIGHT (lbs.)	PART NUMBER
2 3/4"	10.04	450 oz.-in.	8.0	MVF-166
	11.30	980 oz.-in.	9.5	MVF-166-980
	12.40	1275 oz.-in.	11.0	MVF-166-1275
KF 40	10.04	450 oz.-in.	7.6	MVF-166-SF
	11.30	980 oz.-in.	9.0	MVF-166-SF-980
	12.40	1275 oz.-in.	10.6	MVF-166-SF-1275

Customized or other options available. For quotes, please call 800-227-8059 or visit our website at www.huntvac.com. Email: vacman@huntvac.com

		13355 NEVADA CITY AVENUE GRASS VALLEY, CA. 95945
FEEDTHROUGH, ROTARY MOTION, MOTORIZED, HEAVY DUTY		
B	DWG. NO. MVF-166-(SF)-XXX OUTLINE	REV. -
SCALE: NO SCALE	SHEET: 1	OF 1