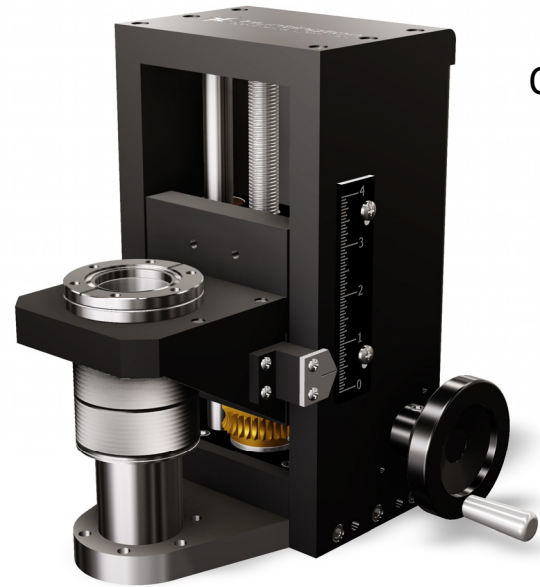


**Specifications**

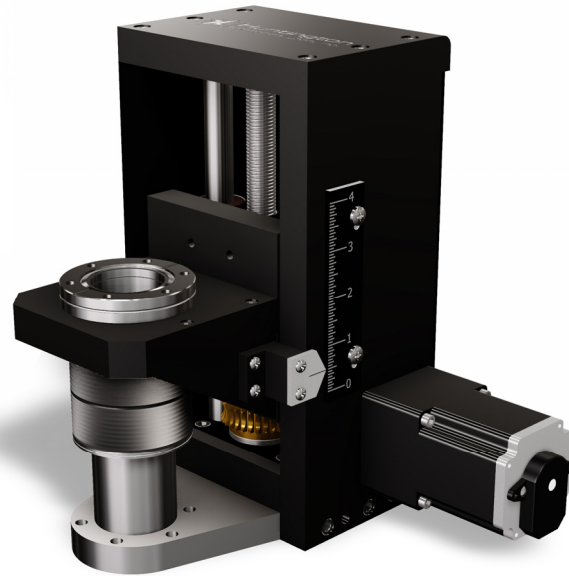
**Sealing Mechanism:** Welded Bellows  
**Bakeout Temperature:** 300°C (Bellows only)  
**Operating Temp:** -20° to 80°C (Motorized)  
**Bellows ID:** 1.50"

**Pressure Range:** Atm. to  $1 \times 10^{-11}$  Torr  
**Work Load:** 25 lbs. concentric  
**Motorized Accuracy:** 51,200 microsteps/revolution  
**Stepper Motor:** 1.8° full step

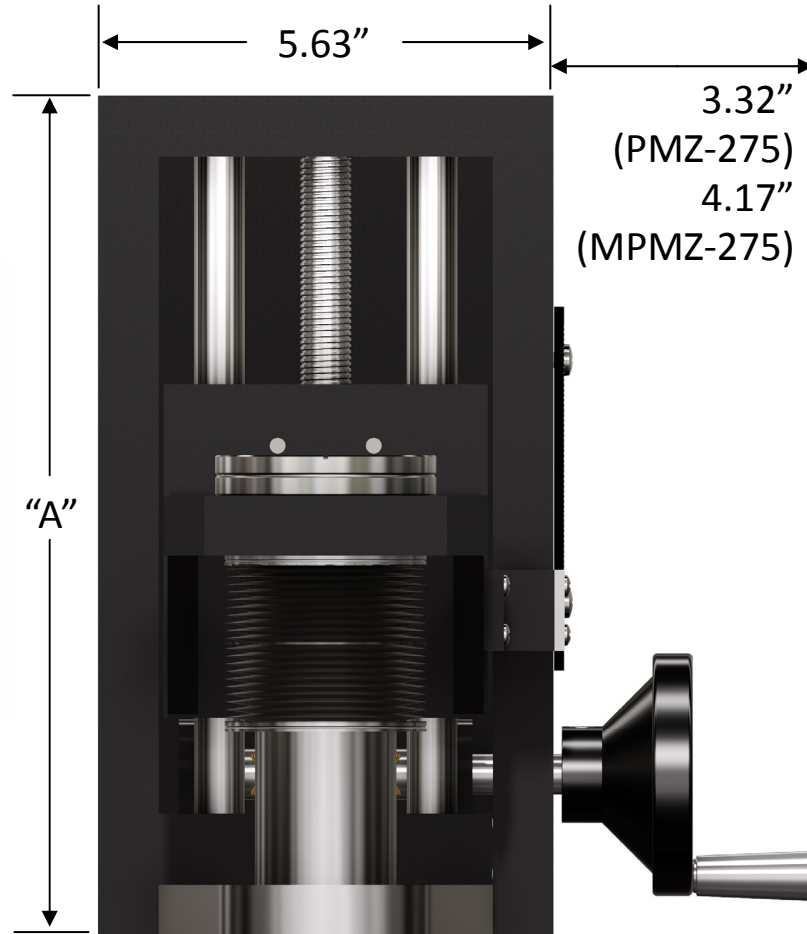
THIS DRAWING IS THE PROPERTY OF HUNTINGTON MECHANICAL LABS, INC., AND IS PROPRIETARY IN GENERAL AND IN DETAIL. IT SHALL NOT BE MODIFIED IN ANY WAY. PERMISSION IS GIVEN TO PRINT AND DISSEMINATE FREELY.



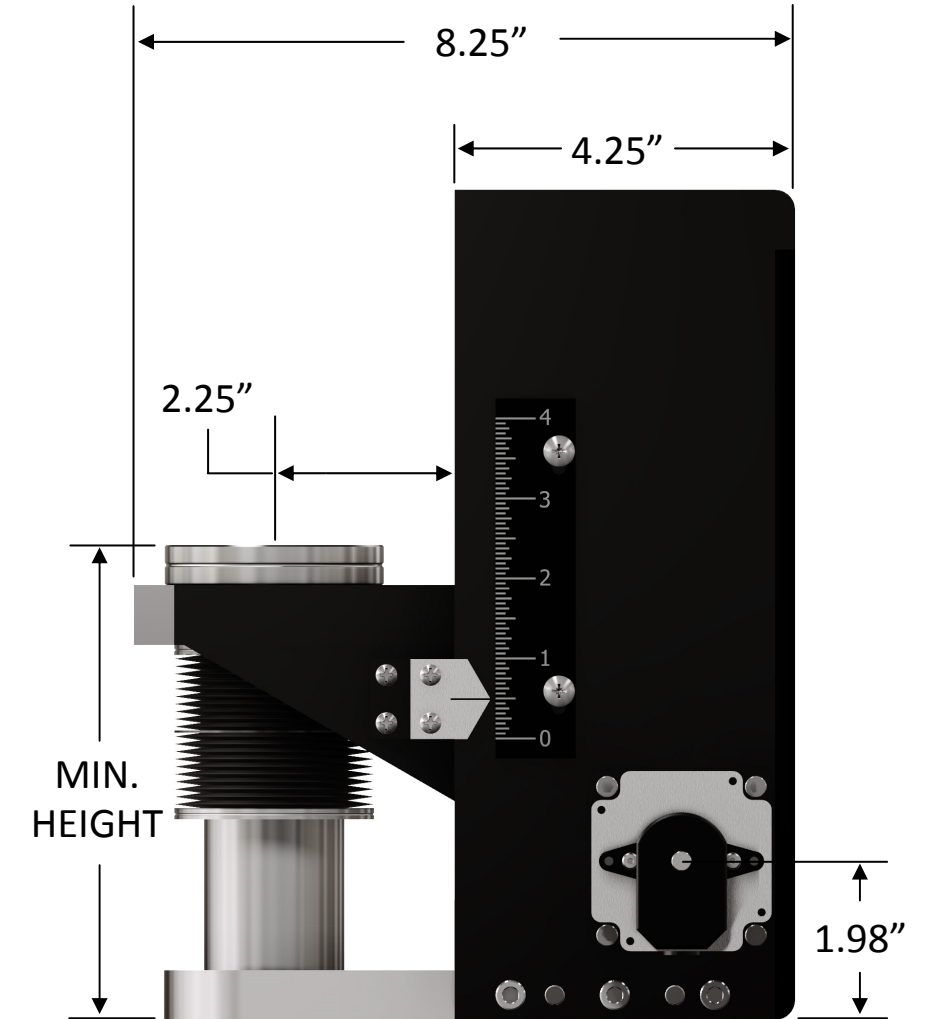
MANUAL OPERATION



MOTORIZED OPERATION



MANUAL (PMZ-XXX-X)



MOTORIZED (MPMZ-XXX-X)

**Z-AXIS MANIPULATOR - 2 3/4" VAC-U-FLANGE®**

STROKE	MINIMUM HEIGHT	"A"	WEIGHT (lbs.)	PART NUMBER
<b>MANUALLY OPERATED VERSION</b>				
2.0	4.75	8.375	26.0	<b>PMZ-275-2</b>
4.0	4.75	10.38	26.4	<b>PMZ-275-4</b>
6.0	5.45	12.38	28.4	<b>PMZ-275-6</b>
8.0	6.40	15.43	32.4	<b>PMZ-275-8</b>
<b>MOTORIZED VERSION</b>				
2.0	4.75	8.375	26.5	<b>MPMZ-275-2</b>
4.0	4.75	10.38	27.2	<b>MPMZ-275-4</b>
6.0	5.45	12.38	28.9	<b>MPMZ-275-6</b>
8.0	6.40	15.43	32.8	<b>MPMZ-275-8</b>

Huntington's Z-axis manipulators feature a robust backbone and a self-locking worm drive gearbox. The entire line has been upgraded to ensure greater accuracy and improve cost effectiveness. All PMZ Series manipulators feature a tapped top flange with a clearance hole type bottom flange for ease of mounting. The Motorized version features a standard NEMA 23 stepper motor capable of 51,200 steps per revolution, choice of encoder, controllers and cable set made to your specifications.

*Other stroke lengths & custom options available. For quotes, please call 800-227-8059 or visit our website at [www.huntvac.com](http://www.huntvac.com). Email: [vacman@huntvac.com](mailto:vacman@huntvac.com)*

Huntington Mechanical Labs, Inc. 13355 NEVADA CITY AVENUE GRASS VALLEY, CA. 95945

**MANIPULATOR, Z-AXIS  
US STANDARD W/SCALE**

B DWG. NO. (M)PMZ-275-X OUTLINE REV. -

SCALE: NO SCALE SHEET: 1 OF 1