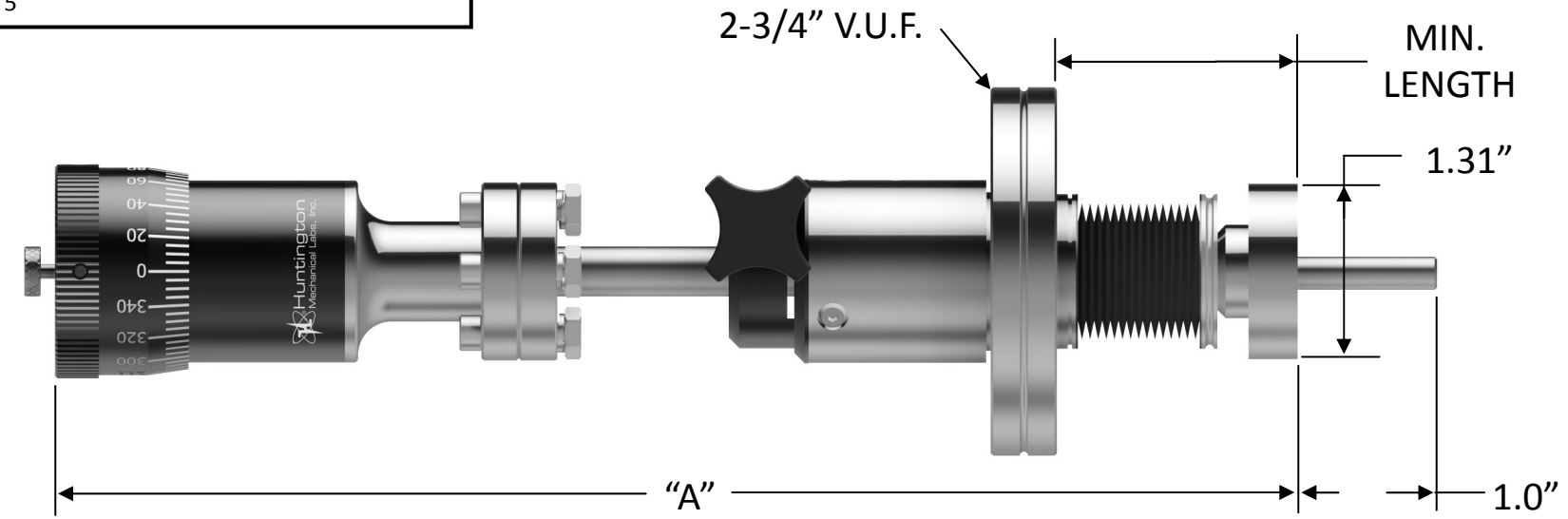


Specifications

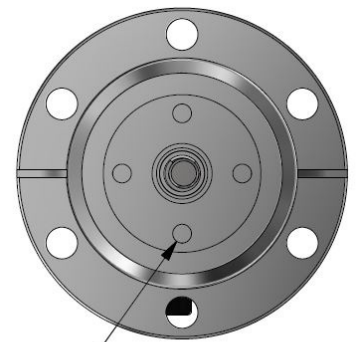
Material Exposed to Vacuum: SST & Cu
Sealing Mechanism: SST Bellows & Cu gasket
Pressure Range: Atmosphere to 1×10^{-11} Torr

Bakeout Temperature: 200°C (maximum)
Operating Temperature: -20° to 150°C
Maximum Axial Load: 20 lbs. (9.1kg) concentric load
Maximum Torque: 125 oz. in.
Rotary Resolution: 5°

THIS DRAWING IS THE PROPERTY OF HUNTINGTON MECHANICAL LABS, INC., AND IS PROPRIETARY IN GENERAL AND IN DETAIL. IT SHALL NOT BE MODIFIED IN ANY WAY. PERMISSION IS GIVEN TO PRINT AND DISSEMINATE FREELY.

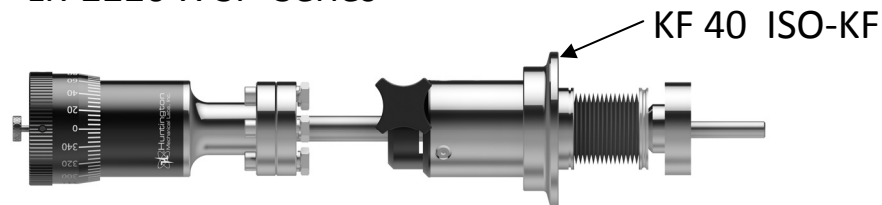


END VIEW

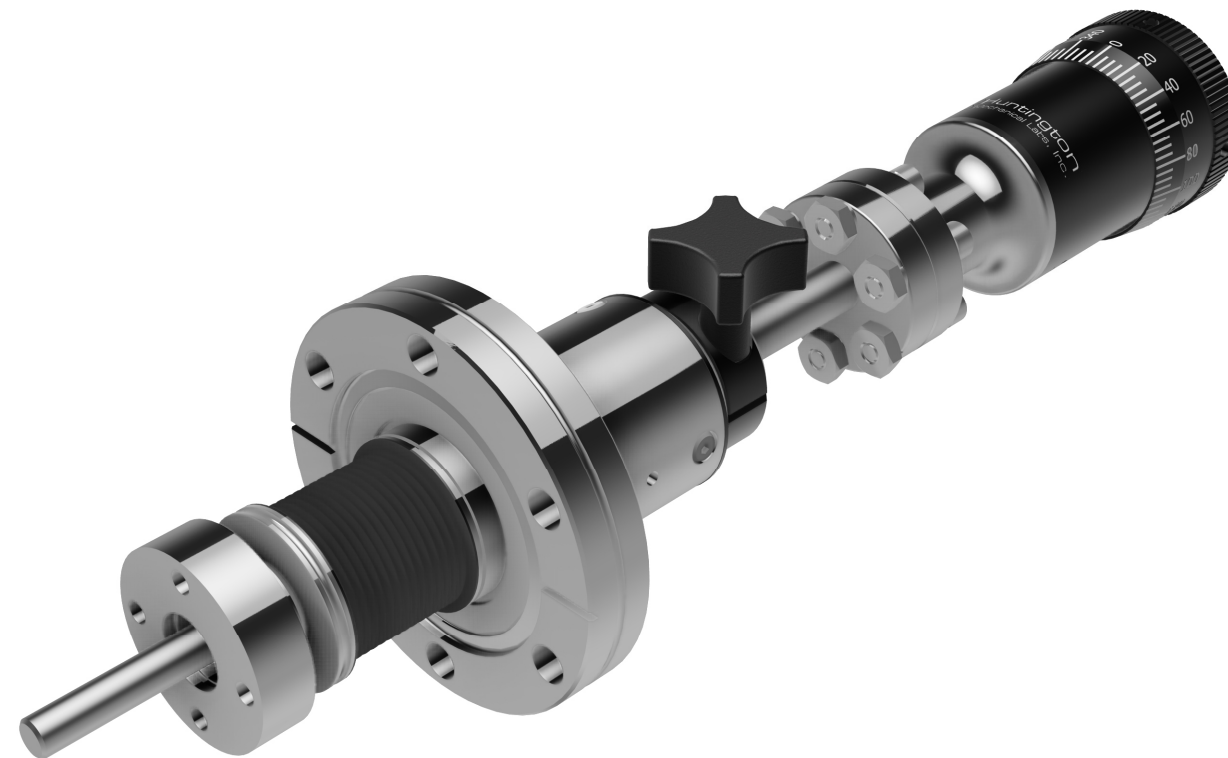


4X 10-32 UNF - 2B

LR-2220-X-SF Series



KF 40 ISO-KF



Dimensions: inches (mm)

MANUAL ROTARY / LINEAR FEEDTHROUGH

FLANGE	STROKE	LENGTH "A"	MINIMUM LENGTH	WEIGHT (lbs.)	PART NUMBER
2 ³ / ₄ "	1.0 (25.4)	9.31 (236.5)	1.30 (33.0)	5.0	LR-2220-1
	2.0 (50.8)	10.69 (271.5)	1.68 (42.7)	5.5	LR-2220-2
	4.0 (101.6)	13.45 (341.6)	2.44 (62.0)	6.5	LR-2220-4
	6.0 (152.4)	16.21 (411.7)	3.20 (81.3)	7.0	LR-2220-6
KF 40	1.0 (25.4)	9.31 (236.5)	1.30 (33.0)	4.8	LR-2220-1-SF
	2.0 (50.8)	10.69 (271.5)	1.68 (42.7)	5.3	LR-2220-2-SF
	4.0 (101.6)	13.45 (341.6)	2.44 (62.0)	6.3	LR-2220-4-SF
	6.0 (152.4)	16.21 (411.7)	3.20 (81.3)	6.8	LR-2220-6-SF

Other stroke lengths & flange options available. For quotes, please call 800-227-8059 or visit our website at www.huntvac.com. Email: yacman@huntvac.com

		13355 NEVADA CITY AVENUE GRASS VALLEY, CA. 95945
FEEDTHRU, ROTARY/LINEAR, PUSH-PULL, US STD. W/SCALE		
B	DWG. NO. LR-2220-X-(SF) OUTLINE	REV. -
SCALE: NO SCALE	SHEET: 1	OF 1