

**Specifications**

**Sealing Mechanism:** Welded Bellows  
**Material Exposed to Vacuum:** Stainless Steel  
**Bakeout Temperature:** 200°C (Maximum)  
**Operating Temperature:** -20° to 150°C  
**Pressure Range:** Atmosphere to  $1 \times 10^{-11}$  Torr

**Maximum Axial Load:** 25 lbs. (11.3 kg) concentric load  
**Maximum Lateral Load:** 20 lbs. (9.1 kg) @tip in retracted (minimum) position  
**Scale Resolution:** 0.05" (1 mm)  
**Pneumatic Actuator:** 1/8" NPT (Solenoid not included), Double-acting cylinder, 100 psi (6.9 bar) Maximum

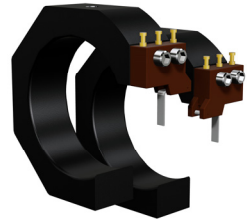
THIS DRAWING IS THE PROPERTY OF HUNTINGTON MECHANICAL LABS, INC., AND IS PROPRIETARY IN GENERAL AND IN DETAIL. IT SHALL NOT BE MODIFIED IN ANY WAY. PERMISSION IS GIVEN TO PRINT AND DISSEMINATE FREELY.

**STANDARD OPTIONS**



**SOLENOID KITS**

OPTION	CODE
SOLENOID, 110 VAC	1A
SOLENOID, 240 VAC	2A
SOLENOID, 12 VDC	1D
SOLENOID, 24 VDC	2D



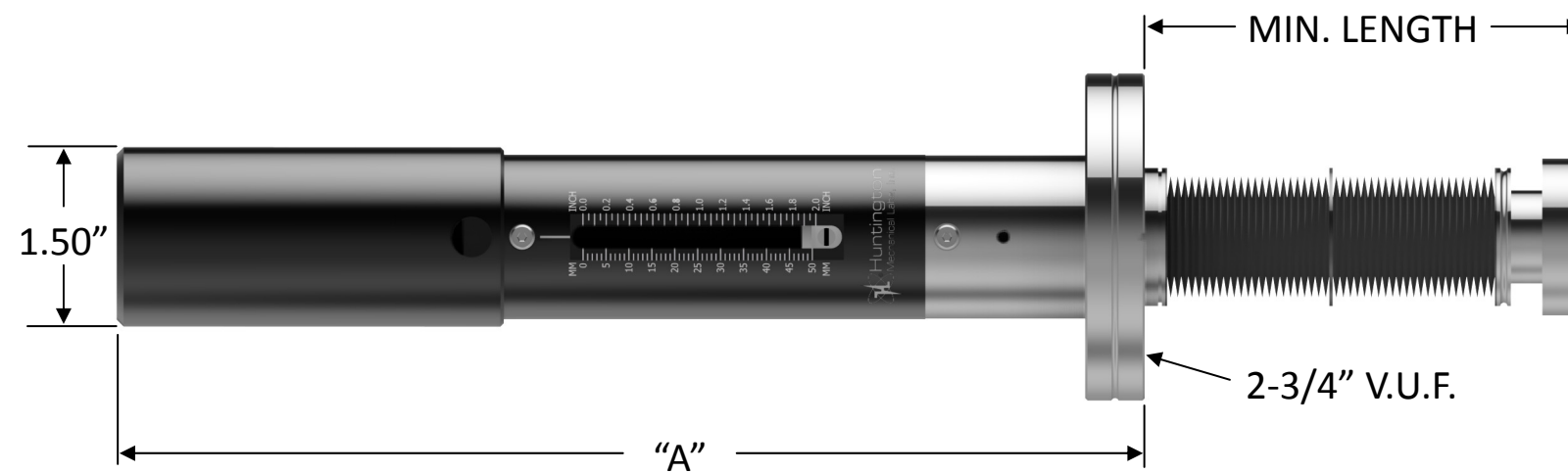
**POSITION SWITCH KITS**

OPTION	CODE
REED SWITCH	SR
MICRO SWITCH	SM
HALL EFFECT - SINKING	SH1
HALL EFFECT - SOURCING	SH2

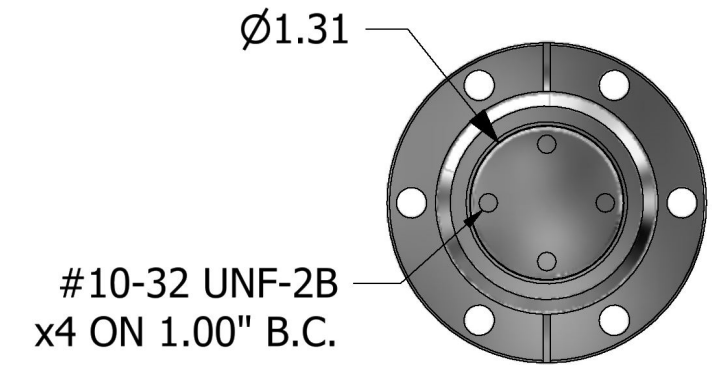
Dimensions: inches (mm)

**L-SERIES LINEAR FEEDTHROUGH- PNEUMATIC**

FLANGE	STROKE	LENGTH "A"	MINIMUM LENGTH	WEIGHT (lbs.)	PART NUMBER
2 <sup>3</sup> / <sub>4</sub> "	1.0 (25.4)	6.65 (168.9)	1.30 (33.0)	3.5	L-2271-1
	2.0 (50.8)	8.65 (219.7)	1.68 (42.7)	4.0	L-2271-2
	4.0 (101.6)	12.65 (321.3)	2.44 (62.0)	4.5	L-2271-4
KF 40	1.0 (25.4)	6.65 (168.9)	1.30 (33.0)	3.3	L-2271-1-SF
	2.0 (50.8)	8.65 (219.7)	1.68 (42.7)	3.8	L-2271-2-SF
	4.0 (101.6)	12.65 (321.3)	2.44 (62.0)	4.3	L-2271-4-SF



**END VIEW**



**L-2271-X-SF Series**



*Other strokes, flange & encoder options available. For quotes, please call 800-227-8059 or visit our website at [www.huntvac.com](http://www.huntvac.com). Email: [vacman@huntvac.com](mailto:vacman@huntvac.com)*

		13355 NEVADA CITY AVENUE GRASS VALLEY, CA. 95945
<b>FEEDTHRU, LINEAR, 2000 SERIES                  PNEUMATIC, US STD. W/SCALE</b>		
<b>B</b>	DWG. NO. L-2271-X-(SF) OUTLINE	REV. -
SCALE: NO SCALE	SHEET: 1	OF 1