

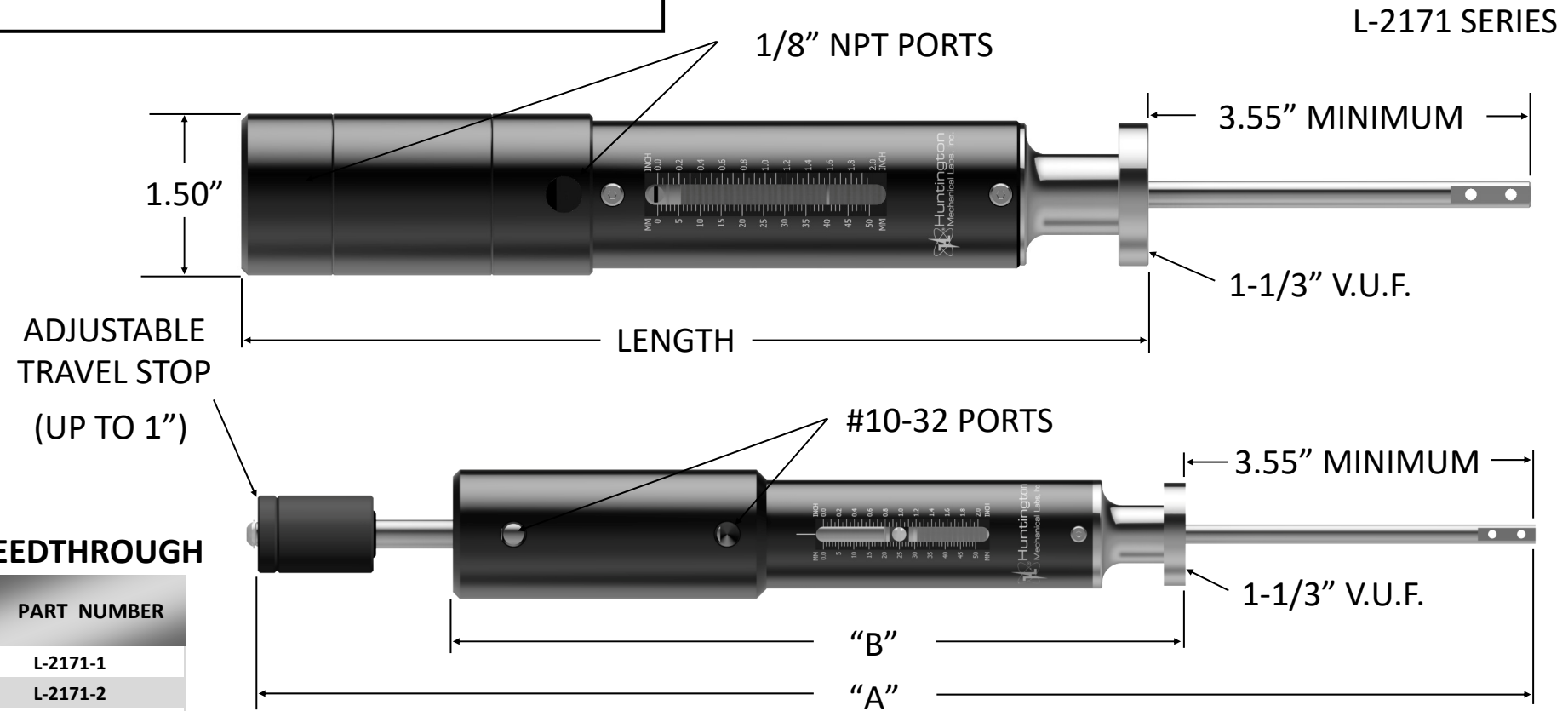
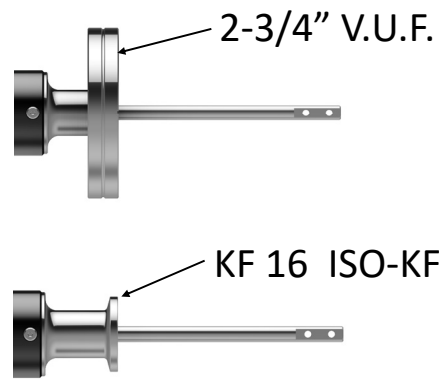
**Specifications**

**Sealing Mechanism:** Welded Bellows  
**Material Exposed to Vacuum:** SST, Torlon  
**Bakeout Temperature:** 200°C (Max.)  
**Operating Temperature:** -20° to 150° C  
**Pressure Range:** Atmosphere to 1 x 10<sup>-11</sup> Torr  
**Maximum Axial Load:**  
 10 lbs. (4.5 kg) concentric load (Motorized)  
 25 lbs. (11.3 kg) concentric load (Pneumatic)

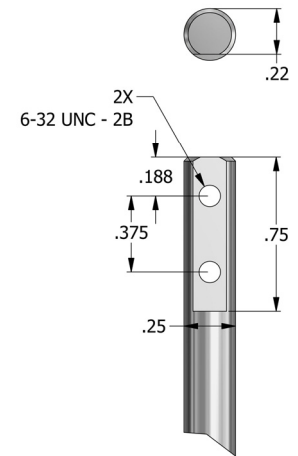
**Maximum Lateral Load:** 3 lbs. (1.3 kg) @ tip in minimum length position  
**Scale Resolution:**  
 Linear: 0.05" (1 mm),  
 Dial: .002" (.05 mm)  
**Thread Pitch:** .05" (1.3mm) per revolution  
**Pneumatic Actuator:** Port Size: 1/8" NPT (Solenoid not incl.)  
 Activation: Double-acting cylinder  
 Air Required: 100psi (6.9 bar) maximum

THIS DRAWING IS THE PROPERTY OF HUNTINGTON MECHANICAL LABS, INC., AND IS PROPRIETARY IN GENERAL AND IN DETAIL. IT SHALL NOT BE MODIFIED IN ANY WAY. PERMISSION IS GIVEN TO PRINT AND DISSEMINATE FREELY.

**Flange Options**



**SHAFT TIP DETAIL, L-SERIES**



Dimensions: inches (mm)

**L-SERIES PNEUMATIC MINI LINEAR FEEDTHROUGH**

FLANGE	STROKE	LENGTH	WEIGHT (lbs.)	PART NUMBER
1 1/3"	1.0 (25.4)	6.06 (153.9)	2.0	L-2171-1
	2.0 (50.8)	8.44 (214.3)	2.5	L-2171-2
	4.0 (101.6)	13.20 (335.3)	3.5	L-2171-4
2 3/4"	1.0 (25.4)	6.06 (153.9)	2.2	L-2171-1-A
	2.0 (50.8)	8.44 (214.3)	2.7	L-2171-2-A
	4.0 (101.6)	13.20 (335.3)	3.8	L-2171-4-A
KF 16	1.0 (25.4)	6.06 (153.9)	2.0	L-2171-1-SF
	2.0 (50.8)	8.44 (214.3)	2.5	L-2171-2-SF
	4.0 (101.6)	13.20 (335.3)	3.5	L-2171-4-SF

**L-SERIES PNEUMATIC LINEAR w/ADJUSTABLE STOP**

FLANGE	STROKE	LENGTH "A"	LENGTH "B"	WEIGHT (lbs.)	PART NUMBER
1 1/3"	1.0 (25.4)	13.26 (336.8)	7.10 (180.3)	2.0	L-2172-1
	2.0 (50.8)	16.64 (422.7)	9.48 (240.8)	2.5	L-2172-2
	4.0 (101.6)	23.40 (594.4)	14.24 (361.7)	3.5	L-2172-4
2 3/4"	1.0 (25.4)	13.26 (336.8)	7.10 (180.3)	2.2	L-2172-1-A
	2.0 (50.8)	16.64 (422.7)	9.48 (240.8)	2.7	L-2172-2-A
	4.0 (101.6)	23.40 (594.4)	14.24 (361.7)	3.8	L-2172-4-A
KF 16	1.0 (25.4)	13.26 (336.8)	7.10 (180.3)	2.0	L-2172-1-SF
	2.0 (50.8)	16.64 (422.7)	9.48 (240.8)	2.5	L-2172-2-SF
	4.0 (101.6)	23.40 (594.4)	14.24 (361.7)	3.5	L-2172-4-SF



Other stroke lengths & flange options available. For quotes, please call 800-227-8059 or visit our website at [www.huntvac.com](http://www.huntvac.com). Email: [vacman@huntvac.com](mailto:vacman@huntvac.com)

		13355 NEVADA CITY AVENUE GRASS VALLEY, CA. 95945
<b>FEEDTHRU, LINEAR, 2000 SERIES                  PNEUMATIC, US STD. W/SCALE</b>		
B	DWG. NO. L-2171(2)-X-(A)(SF) OUTLINE	REV. -
SCALE: NO SCALE	SHEET: 1	OF 1