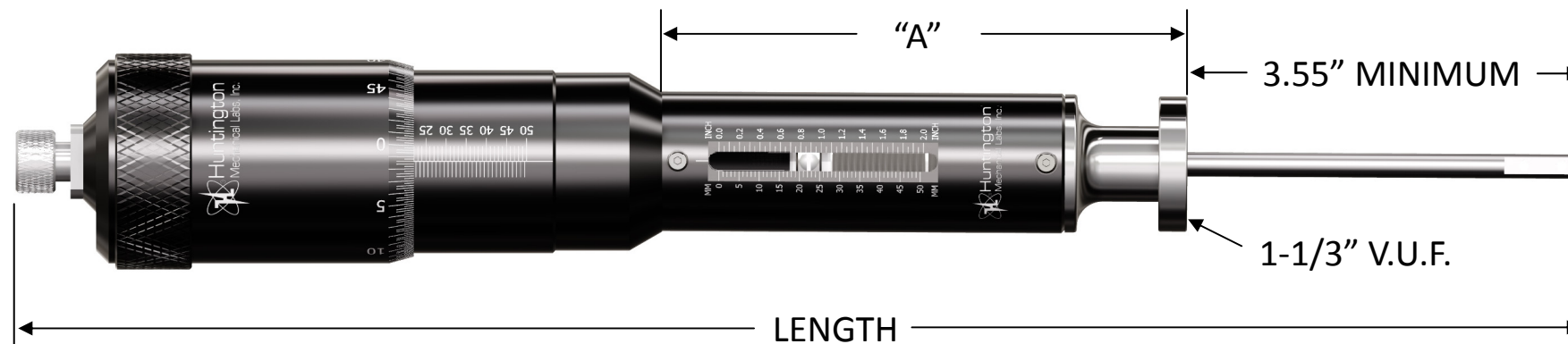


Specifications

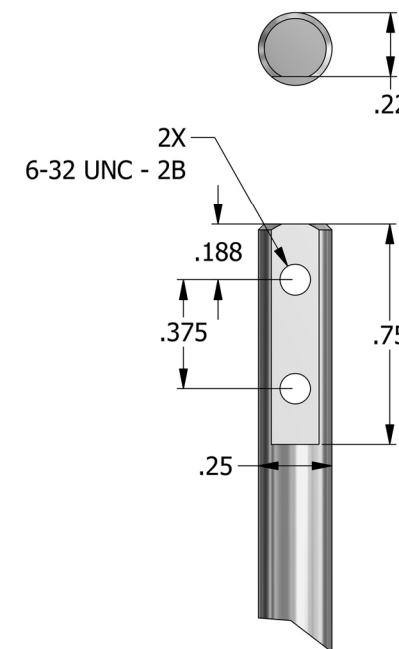
Sealing Mechanism: Welded Bellows
Material Exposed to Vacuum: SST, Torlon
Bakeout Temperature: 200°C (Max.)
Operating Temperature: -20° to 80°C
Pressure Range: Atmosphere to 1 x 10⁻¹¹ Torr

Maximum Axial Load:
 5 lbs. (2.3kg) concentric load
Maximum Lateral Load: 5 lbs. (2.3 kg) @tip in ret. Position
Scale Resolution:
 Linear: 0.05" (1 mm),
 Micrometer: .0001" (.002 mm)
Thread Pitch: .05" (1.3mm) per revolution

THIS DRAWING IS THE PROPERTY OF HUNTINGTON MECHANICAL LABS, INC., AND IS PROPRIETARY IN GENERAL AND IN DETAIL. IT SHALL NOT BE MODIFIED IN ANY WAY. PERMISSION IS GIVEN TO PRINT AND DISSEMINATE FREELY.



SHAFT TIP DETAIL, L-SERIES



L-2141-X-SF Series



Dimensions: inches (mm)

L-SERIES MANUAL MINI LINEAR w/MICROMETER

FLANGE	STROKE	"A"	LENGTH	WEIGHT (lbs.)	PART NUMBER
1 1/3"	0.98 (25)	3.79 (96.2)	12.56 (319.0)	3.0	L-2141-1
	1.97 (50)	5.17 (131.2)	15.91 (404.1)	3.5	L-2141-2
KF 16	0.98 (25)	3.79 (96.2)	12.00 (304.7)	2.8	L-2141-1-SF
	1.97 (50)	5.17 (131.2)	15.35 (389.8)	3.2	L-2141-2-SF

Additional stroke lengths & options available. For quotes, please call 800-227-8059 or visit our website at www.huntvac.com. Email: vacman@huntvac.com

Huntington Mechanical Labs, Inc. 13355 NEVADA CITY AVENUE GRASS VALLEY, CA. 95945

FEEDTHRU, LINEAR, 2100 SERIES, MICROMETER, US STD. W/SCALE

B DWG. L-2141-X-(A)(SF) OUTLINE REV. B

SCALE: NO SCALE SHEET: 1 OF 1