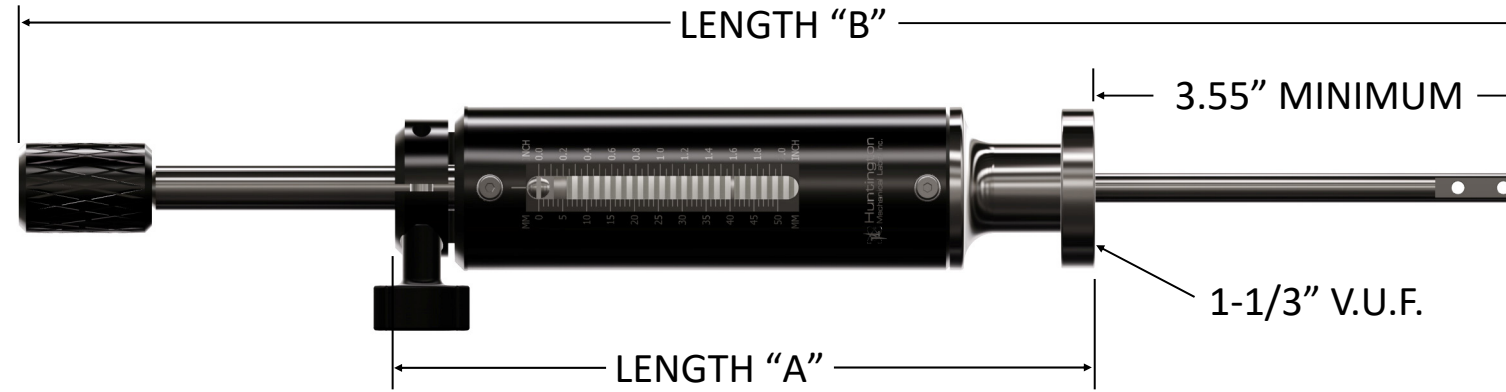


Specifications

Sealing Mechanism: Welded Bellows **Material Exposed to Vacuum:** SST, Torlon **Bakeout Temperature:** 200°C (Maximum) **Operating Temperature:** -20° to 150°C **Pressure Range:** Atmosphere to 1 x 10⁻¹¹ Torr

Position Lock: Hand Knob
Maximum Axial Load: 10 lbs. (4.5 kg) concentric load
Maximum Lateral Load: 3 lbs. (1.3 kg) @tip in minimum position
Scale Resolution: 0.05" (1 mm)

THIS DRAWING IS THE PROPERTY OF HUNTINGTON MECHANICAL LABS, INC., AND IS PROPRIETARY IN GENERAL AND IN DETAIL. IT SHALL NOT BE MODIFIED IN ANY WAY. PERMISSION IS GIVEN TO PRINT AND DISSEMINATE FREELY.



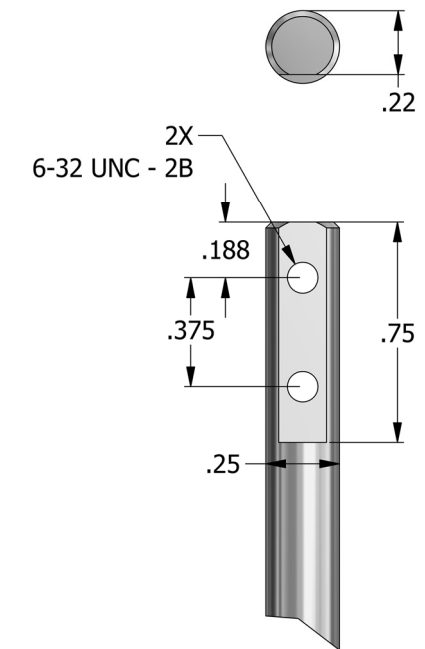
L-2121-X-A Series



L-2121-X-SF Series



SHAFT TIP DETAIL, L-SERIES



Dimensions: inches (mm)

L-SERIES PUSH-PULL MINI LINEAR FEEDTHROUGH

FLANGE	STROKE	LENGTH "A"	LENGTH "B"	WEIGHT (lbs.)	PART NUMBER
1 1/3"	1.0 (25.4)	4.39 (111.5)	10.04 (225.0)	1.5	L-2121-1
	2.0 (50.8)	5.77 (146.5)	12.42 (315.5)	2.5	L-2121-2
	4.0 (101.6)	8.53 (216.7)	17.18 (436.4)	4.0	L-2121-4
2 3/4"	1.0 (25.4)	4.39 (111.5)	10.04 (225.0)	3.2	L-2121-1-A
	2.0 (50.8)	5.77 (146.5)	12.42 (315.5)	4.7	L-2121-2-A
	4.0 (101.6)	8.53 (216.7)	17.18 (436.4)	6.8	L-2121-4-A
KF 16	1.0 (25.4)	4.39 (111.5)	10.04 (225.0)	1.3	L-2121-1-SF
	2.0 (50.8)	5.77 (146.5)	12.42 (315.5)	2.2	L-2121-2-SF
	4.0 (101.6)	8.53 (216.7)	17.18 (436.4)	3.8	L-2121-4-SF

Other stroke lengths & flange options available. For quotes, please call 800-227-8059 or visit our website at www.huntvac.com. Email: vacman@huntvac.com

		13355 NEVADA CITY AVENUE GRASS VALLEY, CA. 95945	
FEEDTHRU, LINEAR, 2100 SERIES PUSH-PULL, US STD. W/SCALE			
B	DWG. NO. L-2121-X-(A)(SF) OUTLINE	REV. -	
SCALE: NO SCALE		SHEET: 1 OF 1	