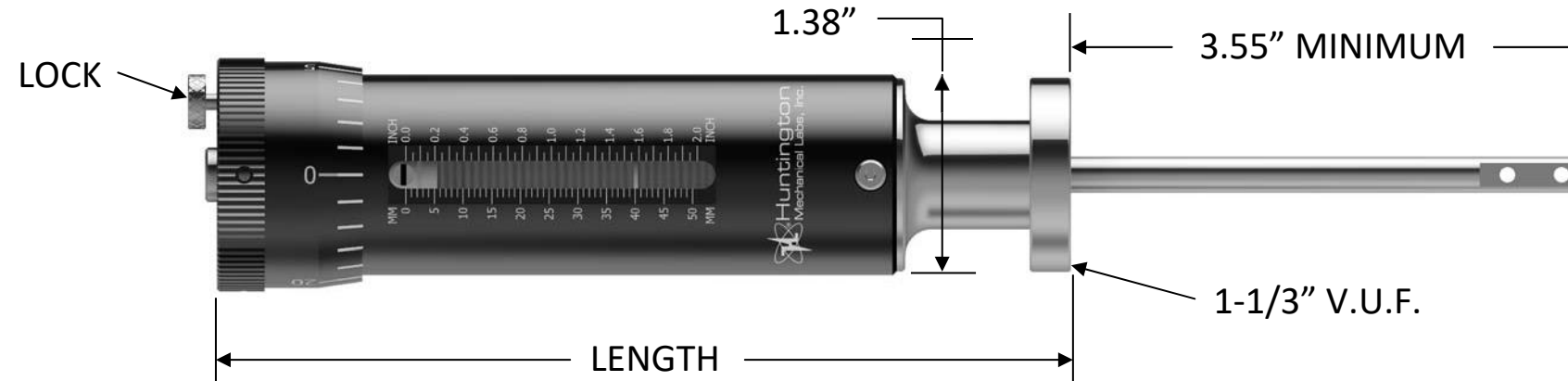


Specifications

Sealing Mechanism: Welded Bellows
Material Exposed to Vacuum: SST, Torlon
Bakeout Temperature: 200°C (Std.)
Operating Temperature: -20° to 150°C
Pressure Range: Atmosphere to 1 x 10⁻¹¹ Torr

Position Lock: Thumb Screw
Maximum Axial Load: 10 lbs. (4.5 kg) concentric load
Maximum Lateral Load: 3 lbs. (1.3 kg) @tip in ret. Position
Scale Resolution:
 Linear: 0.05" (1 mm)
 Dial: .002" (.05 mm)
Thread Pitch: .05" (1.3 mm) per revolution

THIS DRAWING IS THE PROPERTY OF HUNTINGTON MECHANICAL LABS, INC., AND IS PROPRIETARY IN GENERAL AND IN DETAIL. IT SHALL NOT BE MODIFIED IN ANY WAY. PERMISSION IS GIVEN TO PRINT AND DISSEMINATE FREELY.



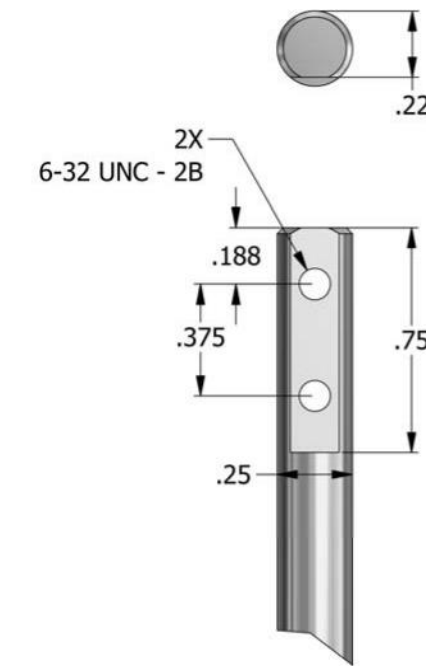
L-2111-X-A Series



L-2111-X-SF Series



SHAFT TIP DETAIL, L-SERIES



Dimensions: inches (mm)

L-SERIES MANUAL MINI LINEAR FEEDTHROUGH

FLANGE	STROKE	LENGTH	WEIGHT (lbs.)	PART NUMBER
1 1/3"	1.0 (25.4)	4.47 (113.5)	1.0	L-2111-1
	2.0 (50.8)	5.85 (148.6)	1.5	L-2111-2
	4.0 (101.6)	8.61 (218.7)	2.5	L-2111-4
2 3/4"	1.0 (25.4)	4.47 (113.5)	1.5	L-2111-1-A
	2.0 (50.8)	5.85 (148.6)	2.0	L-2111-2-A
	4.0 (101.6)	8.61 (218.7)	3.0	L-2111-4-A
KF 16	1.0 (25.4)	4.47 (113.5)	1.0	L-2111-1-SF
	2.0 (50.8)	5.85 (148.6)	1.5	L-2111-2-SF
	4.0 (101.6)	8.61 (218.7)	2.5	L-2111-4-SF

Other stroke lengths & flange options available. For quotes, please call 800-227-8059 or visit our website at www.huntvac.com. Email: vacman@huntvac.com

		13355 NEVADA CITY AVENUE GRASS VALLEY, CA. 95945
FEEDTHRU, LINEAR, 2000 SERIES .05 LEAD, DIAL, US STD. W/SCALE		
B	DWG. NO. L-2111-X-(A)(SF) OUTLINE	REV. -
SCALE: NO SCALE	SHEET: 1	OF 1