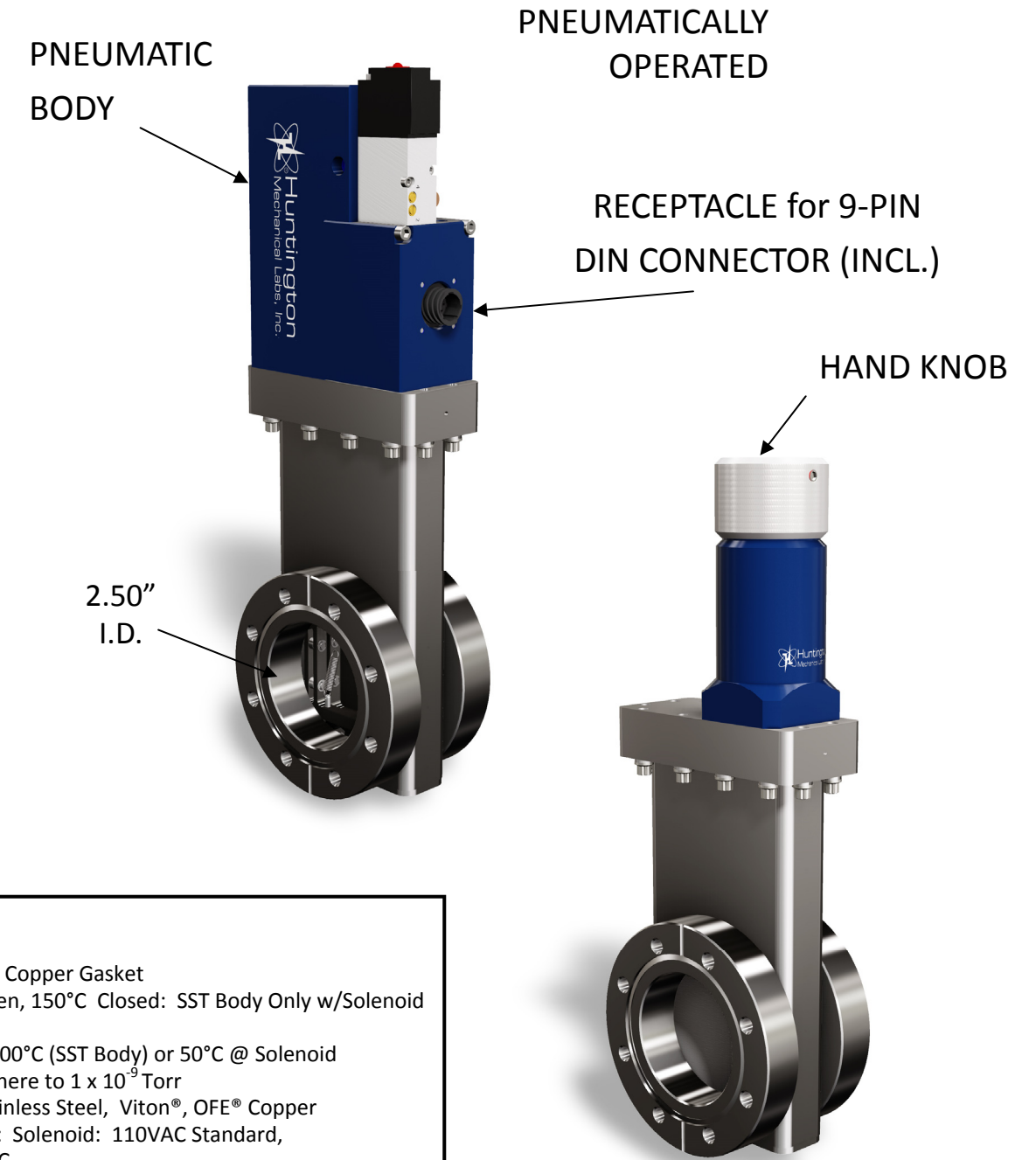
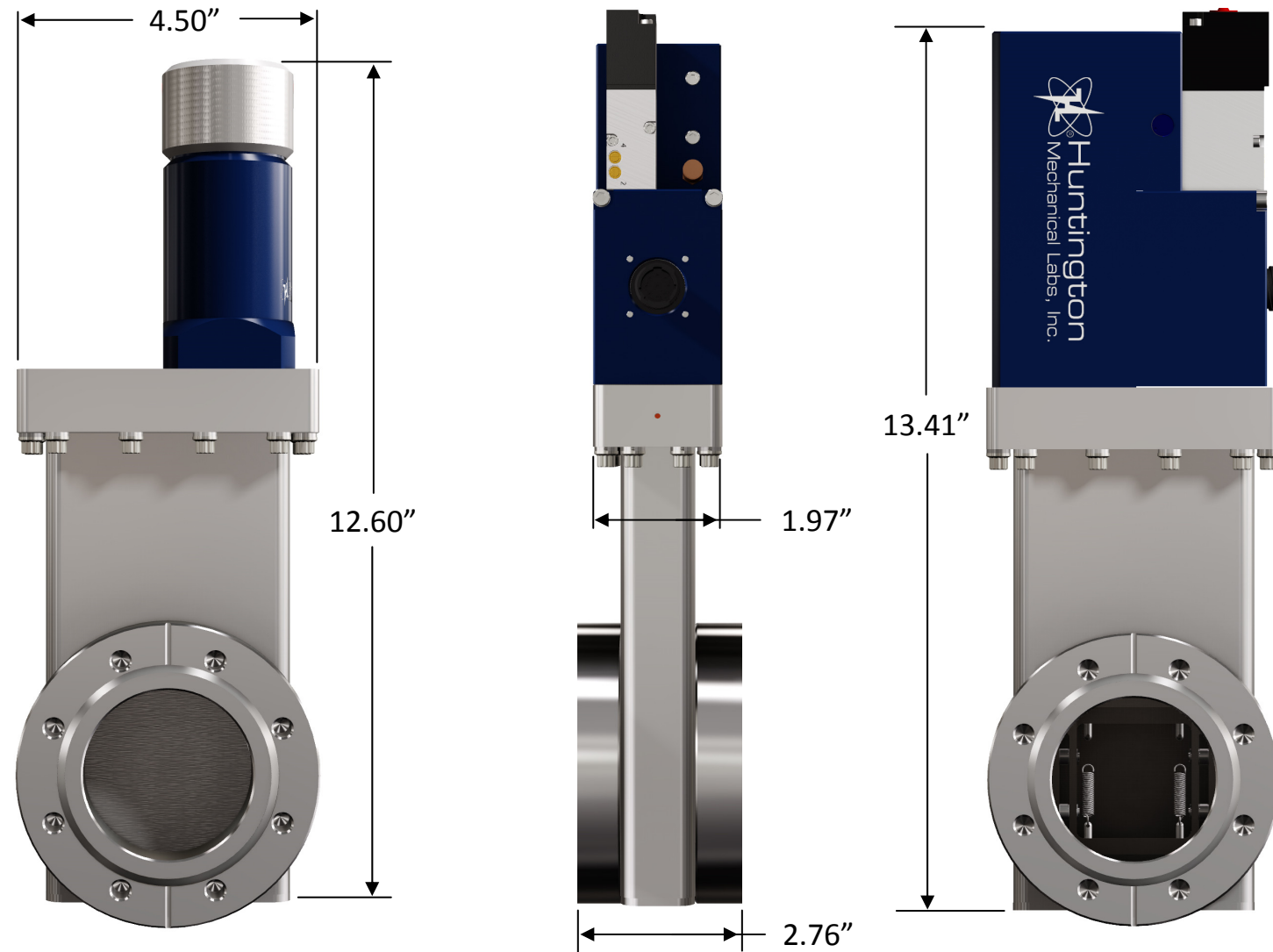


THIS DRAWING IS THE PROPERTY OF HUNTINGTON MECHANICAL LABS, INC., AND IS PROPRIETARY IN GENERAL AND IN DETAIL. IT SHALL NOT BE MODIFIED IN ANY WAY. PERMISSION IS GIVEN TO PRINT AND DISSEMINATE FREELY.



2-1/2" GATE VALVE PART NUMBER MATRIX

FLANGE	DESCRIPTION	MANUAL PART NUMBER	SOLENOID (PNEU.)	PNEUMATIC PART NUMBER
4-1/2" (CF)	Gate Valve, Copper Gasket, NO Solenoid	GVA-250-C	-	GVAP-250-C-00
	Gate Valve, Copper Gasket, with Solenoid	-	110 VAC	GVAP-250-C-1A
	Gate Valve, Copper Gasket, with Solenoid	-	240 VAC	GVAP-250-C-2A
	Gate Valve, Copper Gasket, with Solenoid	-	12 VDC	GVAP-250-C-1D
	Gate Valve, Copper Gasket, with Solenoid	-	24 VDC	GVAP-250-C-2D
4-1/2" (CF)	Gate Valve, Viton® Gasket, NO Solenoid	GVA-250-V	-	GVAP-250-V-00
	Gate Valve, Viton® Gasket, with Solenoid	-	110 VAC	GVAP-250-V-1A
	Gate Valve, Viton® Gasket, with Solenoid	-	240 VAC	GVAP-250-V-2A
	Gate Valve, Viton® Gasket, with Solenoid	-	12 VDC	GVAP-250-V-1D
	Gate Valve, Viton® Gasket, with Solenoid	-	24 VDC	GVAP-250-V-2D
ISO 63 (ISO-KF)	Gate Valve, Viton® Gasket, NO Solenoid	GVA-250-SF	-	GVAP-250-SF-00
	Gate Valve, Viton® Gasket, with Solenoid	-	110 VAC	GVAP-250-SF-1A
	Gate Valve, Viton® Gasket, with Solenoid	-	240 VAC	GVAP-250-SF-2A
	Gate Valve, Viton® Gasket, with Solenoid	-	12 VDC	GVAP-250-SF-1D
	Gate Valve, Viton® Gasket, with Solenoid	-	24 VDC	GVAP-250-SF-2D

Specifications

Sealing Material: Viton® O-ring or Copper Gasket
Bakeout Temperature: 200°C Open, 150°C Closed: SST Body Only w/Solenoid Removed on Pneumatic Model
Operating Temperature: -29° to 100°C (SST Body) or 50°C @ Solenoid
Pressure Vacuum Range: Atmosphere to 1 x 10⁻⁹ Torr
Material Exposed to Vacuum: Stainless Steel, Viton®, OFE® Copper
Power Requirements (Pneumatic): Solenoid: 110VAC Standard, Optional: 240VAC, 12VDC & 24VDC
Actuation: Manual: Hand Knob, Pneumatic: Air to Open/Close
Working Air Pressure: 60 to 120psi (4.1 to 8.3 bar)
Shipping Weight: Manual: 11.8 lbs., Pneumatic: 12.7 lbs.

*Custom options available.
 For quotes, please call 800-227-8059
 or visit our website at www.huntvac.com.
 Email: vacman@huntvac.com*

Huntington Mechanical Labs, Inc. 13355 NEVADA CITY AVENUE GRASS VALLEY, CA. 95945

2-1/2" GATE VALVE, MANUAL & PNEUMATIC, CF & ISO

B	DWG. NO. GVA(P)-250-(SF) OUTLINE	REV. -
SCALE: NO SCALE	SHEET: 1	OF 1