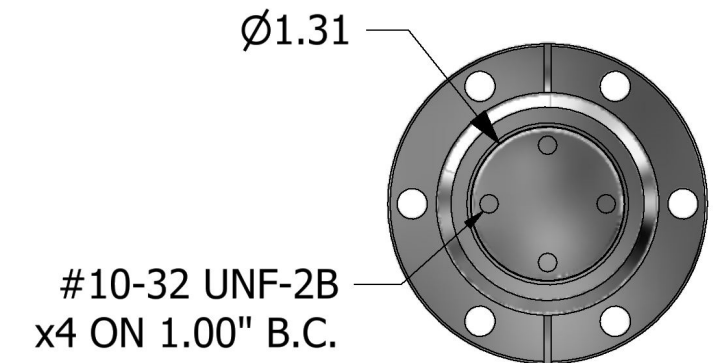
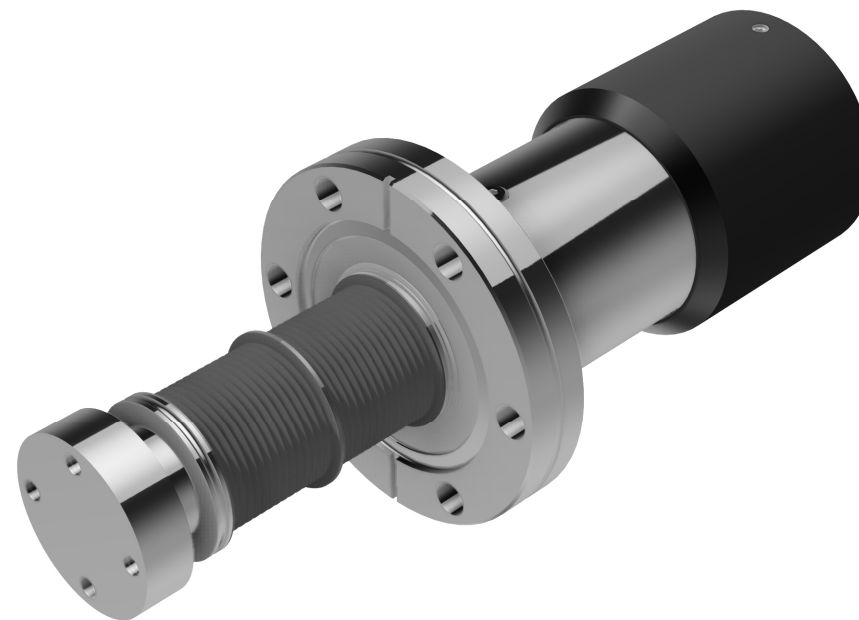
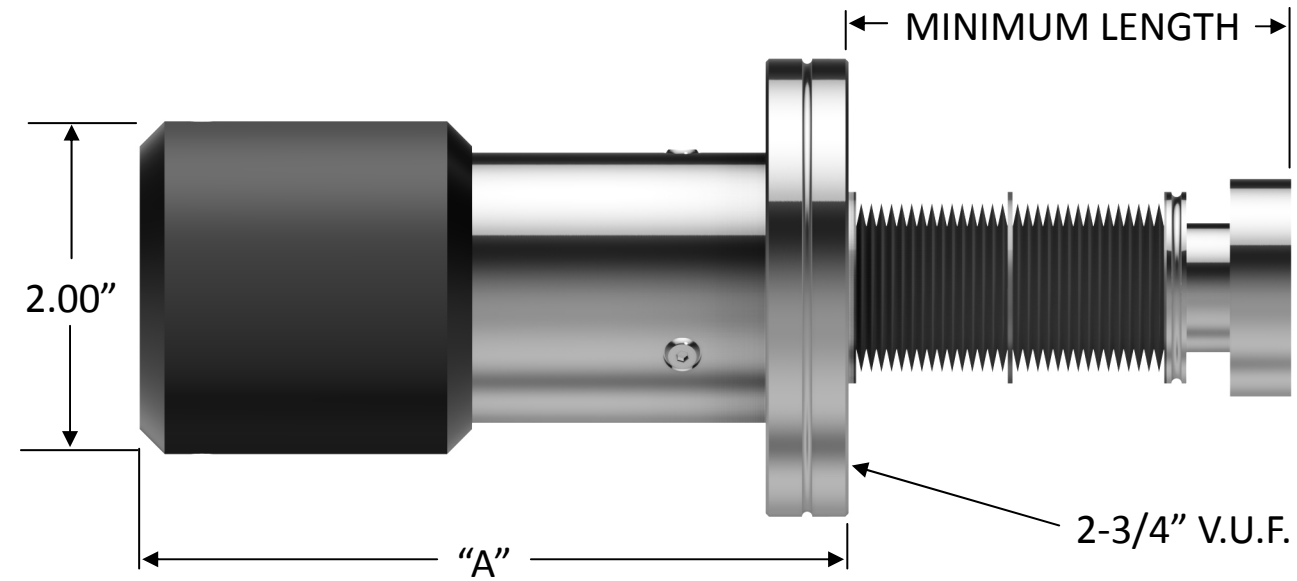


**Specifications**

**Sealing Mechanism:** Welded Bellows  
**Material Exposed to Vacuum:** Stainless Steel  
**Bakeout Temperature:** 200°C (Maximum)

**Operating Temperature:** -20° to 150°C  
**Pressure Range:** Atmosphere to  $1 \times 10^{-11}$  Torr  
**Maximum Axial Load:** 50 lbs. (22.7 kg) concentric load  
**Maximum Lateral Load:** 20 lbs. (9.1 kg) @ 3" extension  
**Thread Pitch:** 1.0" (25.4 mm) per 10 revolutions

THIS DRAWING IS THE PROPERTY OF HUNTINGTON MECHANICAL LABS, INC., AND IS PROPRIETARY IN GENERAL AND IN DETAIL. IT SHALL NOT BE MODIFIED IN ANY WAY. PERMISSION IS GIVEN TO PRINT AND DISSEMINATE FREELY.



Dimensions: inches (mm)

**HIGH LOAD MANUAL LINEAR FEEDTHROUGH**

FLANGE	STROKE	LENGTH "A"	MINIMUM LENGTH	WEIGHT (lbs.)	PART NUMBER
2 3/4"	1.0 (25.4)	4.26 (108.2)	1.16 (29.5)	4.5	FHL-275-1
	2.0 (50.8)	4.26 (108.2)	1.54 (39.1)	4.5	FHL-275-2
	3.0 (76.2)	5.32 (135.1)	1.92 (48.8)	4.7	FHL-275-3

*Other stroke lengths & flange options available. For quotes, please call 800-227-8059 or visit our website at [www.huntvac.com](http://www.huntvac.com). Email: [vacman@huntvac.com](mailto:vacman@huntvac.com)*

		13355 NEVADA CITY AVENUE GRASS VALLEY, CA. 95945
<b>FEEDTHRU, LINEAR, HIGH                  LOAD LIFTER, US STD.</b>		
<b>B</b>	DWG. NO. <b>FHL-275-X OUTLINE</b>	REV. <b>-</b>
SCALE: NO SCALE		SHEET: 1 OF 1