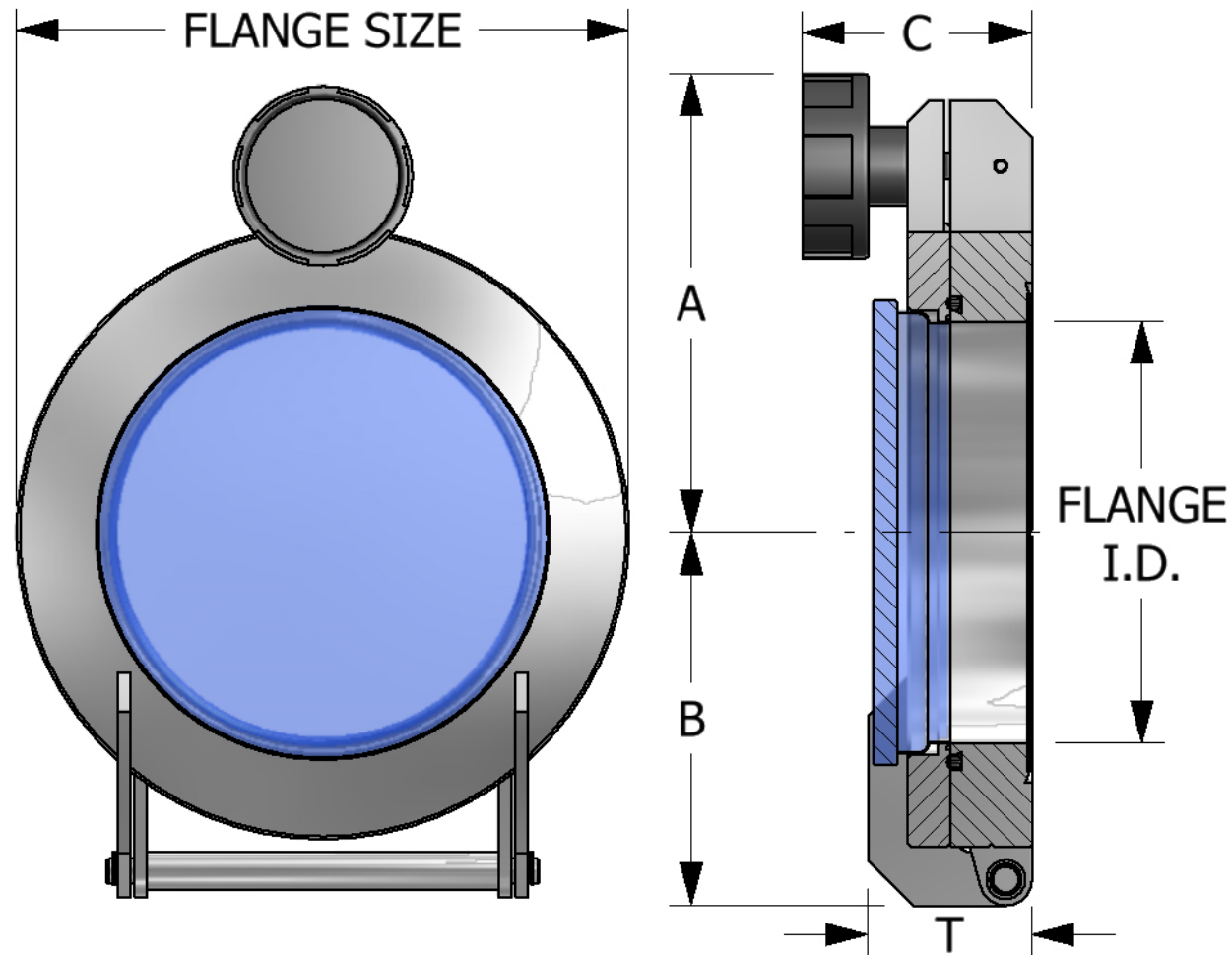


**Construction:** Type 7056 glass to Kovar® to 304 Stainless Steel.  
**Pressure Range:** Atmosphere to  $1 \times 10^{-9}$  Torr  
**Bakeout Temperature:** 200°C

THIS DRAWING IS THE PROPERTY OF HUNTINGTON MECHANICAL LABS, INC., AND IS PROPRIETARY IN GENERAL AND IN DETAIL. IT SHALL NOT BE MODIFIED IN ANY WAY. PERMISSION IS GIVEN TO PRINT AND DISSEMINATE FREELY.



**AVD-Series**  
(with Viewport)



**APD-Series**  
(without Viewport)



Dimensions: inches (mm)

**ACCESS DOORS with MOUNTING FLANGE**

With VIEWPORT	FLANGE OD	VIEW DIA.	A	B	C	T	FLANGE ID	WEIGHT (lbs.)	PART NUMBER
YES	2 3/4"	1.40	2.24	2.32	2.05	1.00	1.37	2.5	<b>AVD-275</b>
	4 1/2"	2.69	2.92	3.25	2.07	1.36	2.37	5.5	<b>AVD-450</b>
	6"	3.88	4.95	4.12	2.36	1.56	3.87	10.0	<b>AVD-600</b>
	8"	5.38	5.93	4.81	2.54	1.74	5.83	17.0	<b>AVD-800</b>
	10"	5.38	7.00	5.73	2.74	1.94	7.76	24.0	<b>AVD-1000</b>
NO	2 3/4"	-	2.24	2.32	2.05	1.00	1.37	1.5	<b>APD-275</b>
	4 1/2"	-	2.92	3.25	2.07	1.36	2.37	5.0	<b>APD-450</b>
	6"	-	4.95	4.12	2.36	1.56	3.87	9.0	<b>APD-600</b>
	8"	-	5.93	4.81	2.54	1.74	5.83	15.0	<b>APD-800</b>
	10"	-	7.00	5.73	2.74	1.94	7.76	21.0	<b>APD-1000</b>

*Other flange options available.*  
 For quotes, please call 800-227-8059  
 or visit our website at [www.huntvac.com](http://www.huntvac.com)  
 Email: [vacman@huntvac.com](mailto:vacman@huntvac.com)

		13355 NEVADA CITY AVENUE GRASS VALLEY, CA. 95945
<b>ACCESS DOOR, VAC-U-FLANGE          SOLID DOOR &amp; W/VIEWPORT</b>		
B	DWG. NO. <b>APD, AVD-XXX OUTLINE</b>	REV. -
SCALE: NO SCALE	SHEET: 1	OF 1